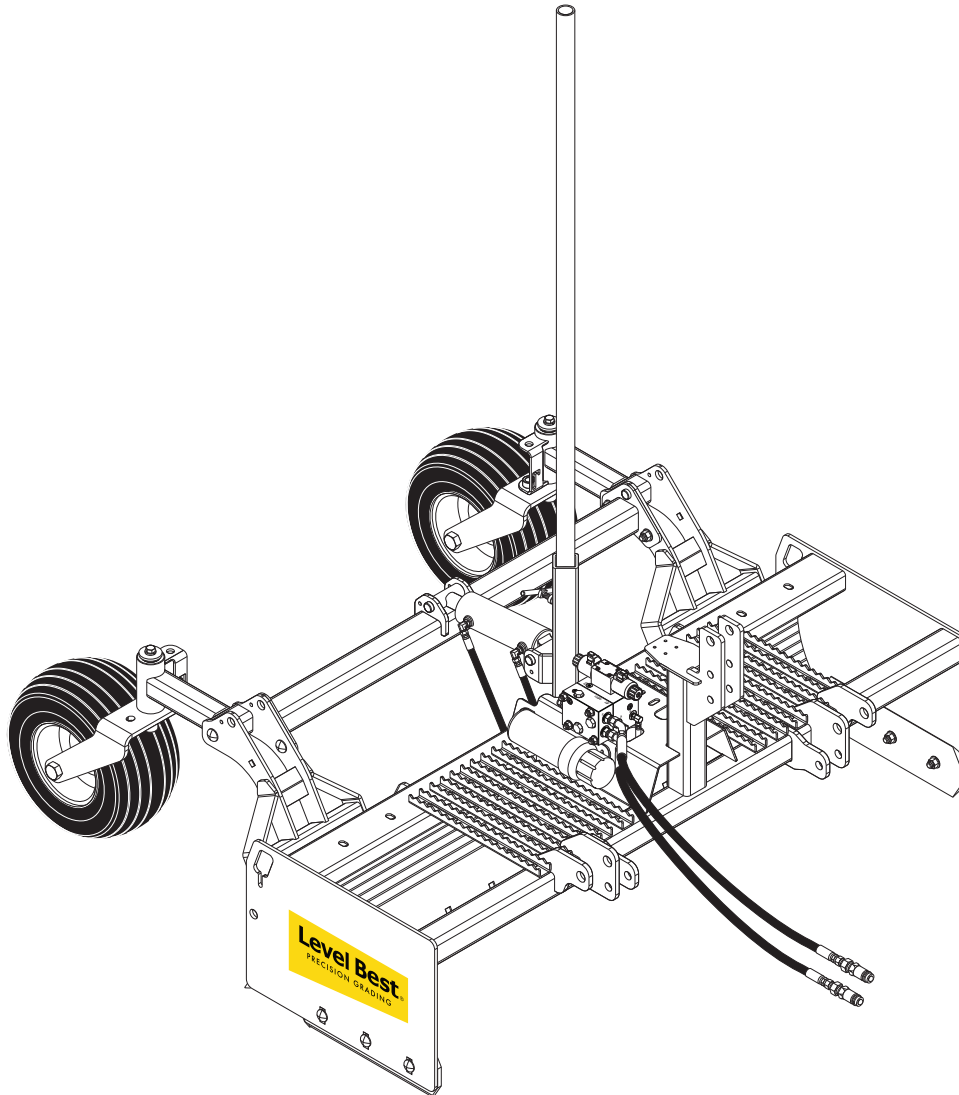


PARTS MANUAL

TS - SERIES SINGLE TRACTOR BOX



ATI Corporation
New Holland, PA 17557
Phone (717) 354-8721 • FAX (717) 354-2162
1-800-342-0905
www.level-best.com

COPYRIGHT 2020 by
ATI Corporation
250 Earland Drive
New Holland, PA 17557 U.S.A.

DISCLAIMER

THE INFORMATION IN THIS MANUAL IS PROVIDED TO PROMOTE THE SAFE USE OF, AND ASSIST THE OPERATOR IN ACHIEVING THE BEST PERFORMANCE FROM, LASER GRADING BOX DESCRIBED HEREIN, FOR THEIR INTENDED APPLICATIONS.

USING THIS DOCUMENT

This document is expected to be used as an electronic pdf document as well as a printed document. Various software can be used to view the document, including [Adobe® Acrobat Reader DC](#). Other pdf viewers are available.

As an electronic document, various links are included to help you navigate the document and find the applicable information. Links may be cross references within the document or an external link to an Internet page. Links shown in blue, such as the link to the Acrobat Reader DC software in the preceding paragraph. For an Internet link to work, the device must be connected to the Internet in some way. Data charges may apply.

NOTE: Most pdf viewer software provides a command for previous view. In Acrobat Reader, for instance, the previous view on the View/Page Navigation menu. Keyboard shortcuts are also available, such as Alt+Left Arrow and Alt+Right Arrow for Previous View and Next View, respectively.

Table of Contents

SUBJECT	PAGE NO.
Table of Contents	i
Warranty.....	ii
Serial Number Information.....	ii
Where To Get Parts and Service	ii
How To Order Parts	iii
Notes	iv
List Of Parts Illustrations	1



Para-Level Grading Box PARTS LIST

ATI Corporation
1-800-342-0905
www.level-best.com

WARRANTY

This Level-Best Grading System is designed and manufactured to high standards. ATI Corporation, therefore, guarantees this Level-Best product to be free from defect in workmanship and materials for three (3) years from purchase date. If the machine is to be used for rental purposes the warranty is limited to ninety (90) days.

Components supplied by outside vendors (e.g. cylinders, hydraulic valves and components, electronic modules, and machine control technology systems) are warranted separately by their respective manufacturers. The warranty periods of these components are generally one (1) year from date of purchase.

Neither Level-Best nor hydraulic component manufacturers will cover normal wear or failure due to hydraulic oil contamination from the power source. ALWAYS start with clean oil and filters prior to installation and operation.

Misuse, abuse, misapplication, and unauthorized alterations will void this warranty.

All warranty work must be performed by an authorized Level-Best dealer and authorized by ATI Corporation. All Level-Best parts suspected of failure must be returned to ATI Corporation for warranty analysis prior to any credit being issued.

SERIAL NUMBER INFORMATION

It is very important that the correct serial number is provided when ordering parts. The serial number plate is located on the main frame. Please mark the model and serial number of your Laser Grading Box in the space provided below in case the plate on your Laser Grading Box gets lost or damaged.

Model..... Serial Number

Dealer Name Dealer Phone Number

WHERE TO GET PARTS AND SERVICE

When replacement parts and service are required, ATI Corporation recommends returning to the dealer from which the product or optional kit was purchased. By going to the dealer, you are dealing with people that understand and know ATI products. Our dealers have the experience servicing these machines and stock the most common parts required to keep your equipment in top working condition.

NOTE: ATI Corporation reserves the right to discontinue models at any time, change specifications, and improve design without notice and without incurring obligation on goods previously purchased and to discontinue supplying any part listed, when the demand does not warrant production.

Para-Level Grading Box PARTS LIST

Level Best[®]
PRECISION GRADING

ATI Corporation
1-800-342-0905
www.level-best.com

HOW TO ORDER PARTS

Parts lists contained in this book have been prepared to help you when ordering spare and/or replacement parts. Your order will be filled promptly and accurately when the following information is provided:

1. Model and serial number of the unit. (This specifically identifies the equipment you have and permits us to verify the part numbers in your order.)
2. The parts list page number and catalog number. Include catalog revision number, if applicable.
3. The **Item** number for each part. **Item** numbers on the parts list page correspond with the numbers shown on the illustration.
4. **Part Number** as it appears in the parts list. In most cases this will be a nine-digit number; for example: 315-005-000.
5. The **Description** for the part as it appears on the parts list page.

When a complete assembly is needed, use the assembly number given in the parts list. If no assembly number is given, order by main assembly title and list only the item numbers you want. For example: “Wheel Frame Assembly per 315-509-000, Items 2 through 8, inclusive”.

The part ordered may have a new part number, or the part may have been replaced by a newer design with a different part number. In these cases your acknowledgement, shipping papers and invoices will be written listing the current part number first; the old part number you referred to will follow the part description.

Our purpose in doing this is to tell you that the parts are fully interchangeable. This will avoid any unnecessary correspondence or delay in processing your order. We suggest that you add any new number to your parts lists for future use.

Para-Level Grading Box PARTS LIST

List Of Parts Illustrations



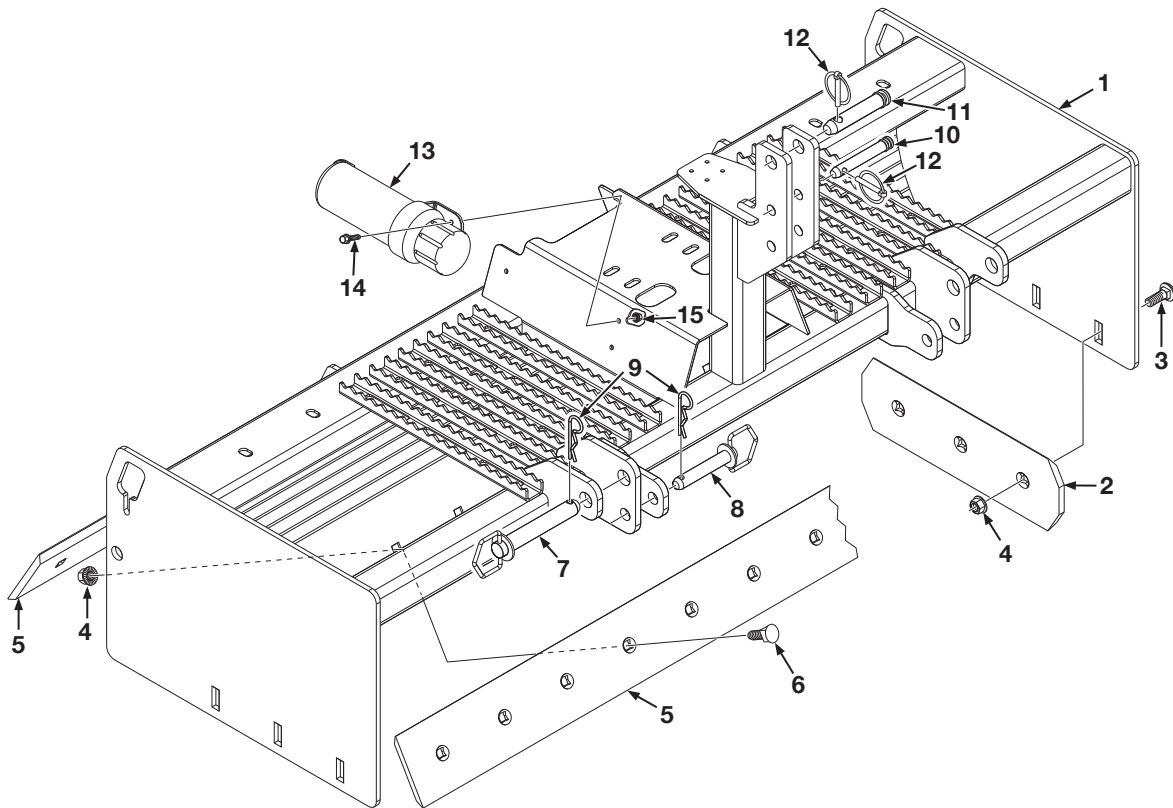
ATI Corporation
1-800-342-0905
www.level-best.com

Figure 1. Main Frame and Cutting Edges.....	2
Figure 2. Wheel Frame and Related Parts.....	4
Figure 3. Caster Fork and Single Wheel - Models TS72, TS84 & TS96.....	6
Figure 4. Caster Fork and Dual Wheels - Models TS96 & TS108	8
Figure 5. Hydraulic Cylinder Only	10
Figure 6. Hydraulic Valve Assembly, Cylinder Assembly and Related Parts.....	12
Figure 7. Hydraulic Valve Assembly	14
Figure 8. Laser Controls and Related Parts - Apache CB26/Spectra CB25	16
Figure 9. Control Panel, Laser Receiver 360°, Cables - Apache/Spectra.....	18
Figure 10. Laser Controls and Related Parts - Leica MCP-700	20
Figure 11. Control Panel, Laser Receiver 360°, Cables - Leica MCP-700.....	22
Figure 12. Laser Controls and Related Parts - Topcon System Five Remote & LS-B4	24
Figure 13. Drawbar Kit, with Wheel Locks (Optional).....	26
Figure 14. Decals	28

Para-Level Grading Box PARTS LIST

Figure 1. Main Frame and Cutting Edges

ATI Corporation
1-800-342-0905
www.level-best.com



Para-Level Grading Box PARTS LIST



Figure 1. Main Frame and Cutting Edges

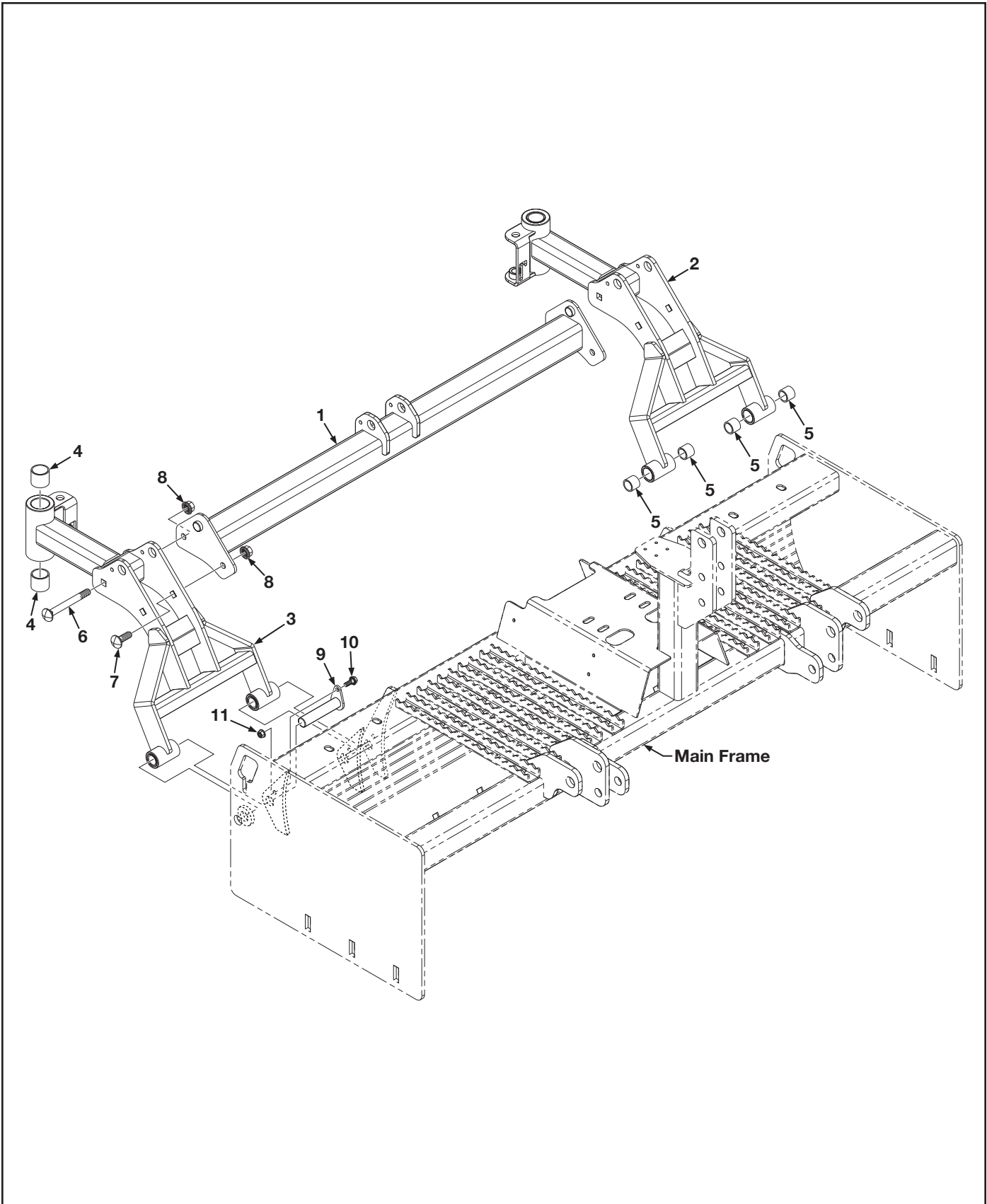
ATI Corporation
 1-800-342-0905
 www.level-best.com

Item	Part No.	Qty	Description
1	315-117-000	1	Frame, Main, Tractor, 72"
	315-118-000	1	Frame, Main, Tractor, 84"
	315-119-000	1	Frame, Main, Tractor, 96"
	315-120-100	1	Frame, Main, Tractor, 108"
2	000-190-072	2	Edge, Cutting, End, DBF, 19-1/2" Long
3	000-150-256	6	Bolt, Carriage, 5/8"-11UNC x 1-1/2" Long
4	000-158-142	AR	Nut, Serrated Flange, 5/8"-11UNC
5	000-190-075	1	Edge, Cutting, DBF, 72" Long
	000-190-077	1	Edge, Cutting, DBF, 84" Long
	000-190-079	1	Edge, Cutting, DBF, 96" Long
	000-190-091	1	Edge, Cutting, DBF, 108" Long
6	000-150-258	AR	Bolt, Plow, 5/8"-11UNC x 1-3/4" Long
7	000-161-075	2	Pin, Hitch, 1-1/8" Dia. x 7" Long, Category II
8	000-161-076	2	Pin, Hitch, 7/8" Dia. x 5-1/4" Long, Category I
9	000-161-019	4	Pin, Hair, Cotter, 3/16" Dia. x 3-3/4" Long
10	000-161-081	1	Pin, Top Link, 3/4" Dia. x 5-1/2" Long, Category I
11	000-161-085	1	Pin, Top Link, 1" Dia. x 5-1/4" Long, Category II
12	000-161-028	2	Pin, Lynch, Locking, 7/16"
13	001-001-083	1	Canister, Operators Manual
14	000-150-078	3	Bolt, Serrated Flange, 5/16"-18UNC x 1" Long
15	000-158-064	3	Nut, Serrated Flange, 5/16"-18UNC

AR - As Required NSS - Not Serviced Separately ASN - After Serial No. BSN - Before Serial No. LP - Local Purchase

Figure 2. Wheel Frame and Related Parts

ATI Corporation
1-800-342-0905
www.level-best.com



Para-Level Grading Box PARTS LIST



Figure 2. Wheel Frame and Related Parts

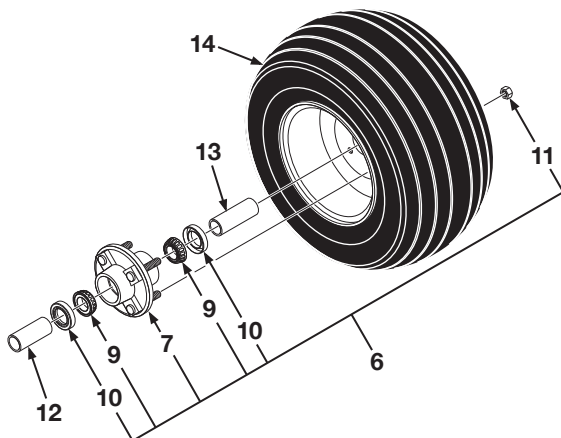
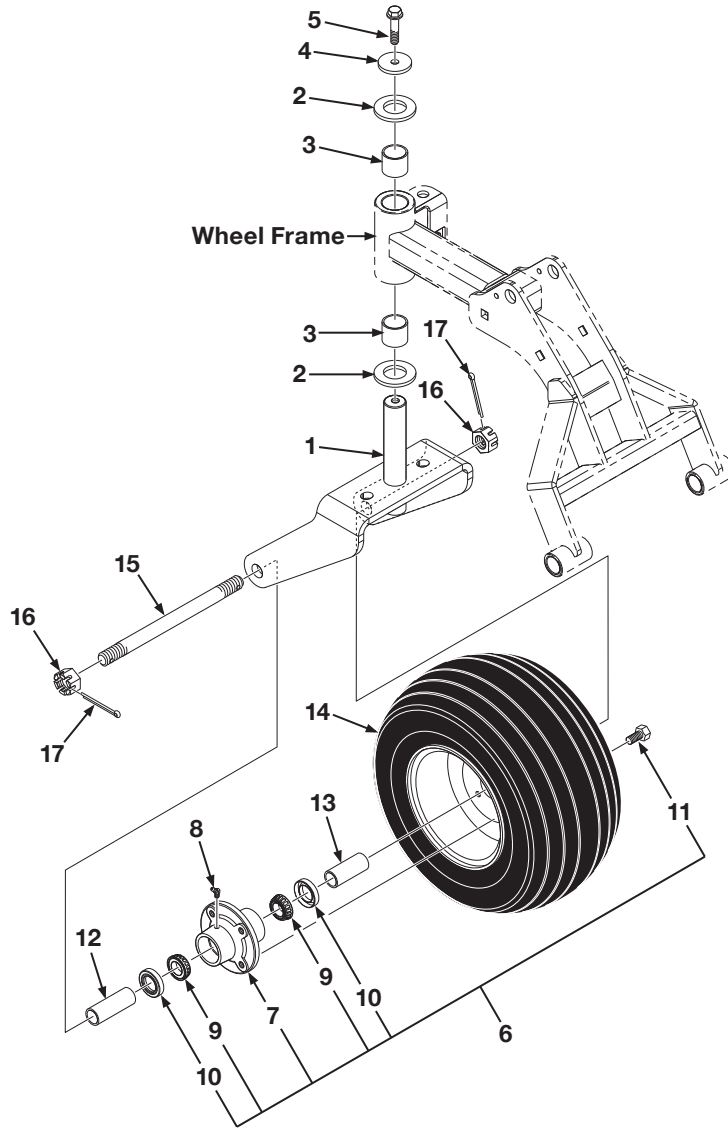
ATI Corporation
 1-800-342-0905
 www.level-best.com

Item	Part No.	Qty	Description
1	315-117-310	1	Tube, Connecting, Wheel Frame, 72"
	315-118-310	1	Tube, Connecting, Wheel Frame, 84" & 96"
	315-120-310	1	Tube, Connecting, Wheel Frame, 108"
2	315-121-200	1	Frame, Wheel, Left, Includes Items 4 & 5
3	315-121-300	1	Frame, Wheel, Right, Includes Items 4 & 5
4	000-176-171	2	Bushing, Wheel Frame, 1-3/4" OD x 1-1/2" ID x 1-1/2" Long
5	000-176-174	4	Bushing, Wheel Frame, 1-1/4" OD x 1" ID x 1" Long
6	000-150-288	2	Bolt, Carriage, 5/8"-11UNC x 5-1/2" Long
7	000-150-256	2	Bolt, Carriage, 5/8"-11UNC x 1-1/2" Long
8	000-158-142	4	Nut, Serrated Flange, 5/8"-11UNC
9	000-161-164	4	Pin, Pivot, Tabbed, 1" Dia. x 5" Long
10	000-150-078	4	Bolt, Serrated Flange, 5/16"-18UNC x 1" Long
11	000-158-064	4	Nut, Serrated Flange, 5/16"-18UNC

AR - As Required NSS - Not Serviced Separately ASN - After Serial No. BSN - Before Serial No. LP - Local Purchase

Para-Level Grading Box PARTS LIST

**Figure 3. Caster Fork and Single Wheel -
Models TS72, TS84 & TS96**



Alternate Hub Assembly

Para-Level Grading Box PARTS LIST



**Figure 3. Caster Fork and Single Wheel -
Models TS72, TS84 & TS96**

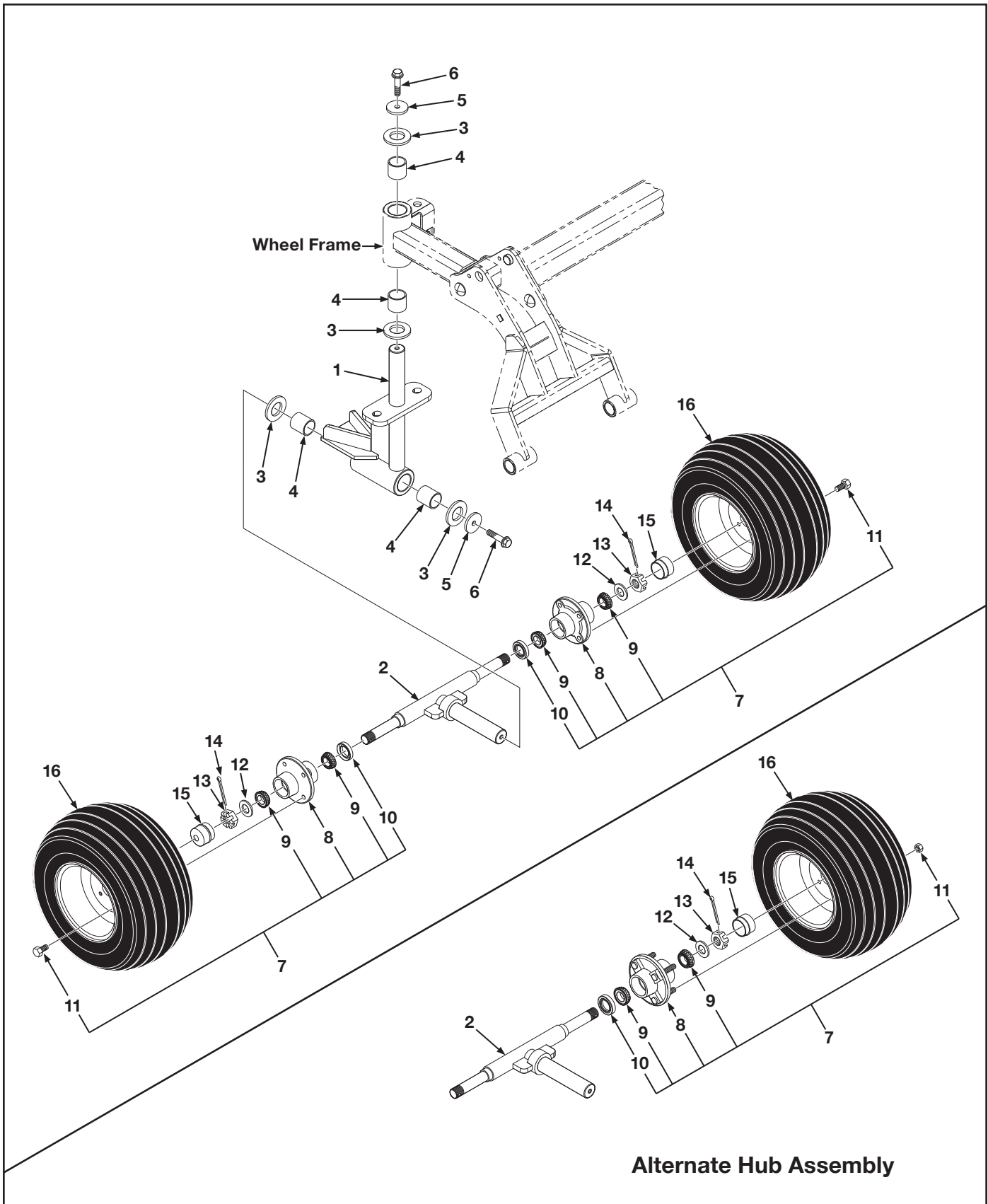
ATI Corporation
1-800-342-0905
www.level-best.com

Item	Part No.	Qty	Description
1	315-548-000	2	Fork, Caster
2	000-155-002	4	Bushing, Washer, 2-1/4" OD x 1-1/2" ID x 10 Gauge
3	000-176-171	4	Bushing, Wheel Frame, 1-3/4" OD x 1-1/2" ID x 1-1/2" Long
4	000-155-004	2	Washer, Flat, 2-1/4" OD x 17/32" ID x 1/4" Thick
5	000-150-375	2	Bolt, Serrated Flange, 1/2"-13UNC x 1-1/4" Long
6	001-001-069	2	Hub Assembly, Includes Items 7 thru 11
		2	Hub Assembly, Includes Items 7 thru 11 (Alternate Hub Assembly)
7	001-001-074	1	Hub, Wheel, With Outer Race, Includes Item 8
8	NSS	1	Fitting, Grease, 65°
9	000-176-184	2	Bearing, Roller, Tapered, 1" Dia. Bore
10	000-166-457	2	Seal, 1.983" OD x 1.219" ID x .475" Thick
11	000-150-218	4	Bolt, Lug, 1/2"-20UNF x 1-1/4" Long
	000-158-120	4	Nut, Lug, Hex, 1/2"-20UNF (Alternate Hub Assembly)
12	315-598-000	2	Spacer, Wheel Hub, 1-1/4" OD x 3-5/8" Long
13	315-597-000	2	Spacer, Wheel Hub, 1-1/4" OD x 2-7/8" Long
14	001-001-057	2	Wheel/Tire, Foam-Filled, 18.5/8.50-8
15	000-150-359	2	Shaft, Axle, Bolt, Hex Head, 1"-14UNF x 12" Long
16	000-158-193	2	Nut, Castle, Jam, 1"-14UNF
17	000-161-078	2	Pin, Cotter, 1/8" Dia. x 2" Long

AR - As Required NSS - Not Serviced Separately ASN - After Serial No. BSN - Before Serial No. LP - Local Purchase

Para-Level Grading Box PARTS LIST

Figure 4. Caster Fork and Dual Wheels - Models TS96 & TS108



Para-Level Grading Box PARTS LIST



**Figure 4. Caster Fork and Dual Wheels -
Models TS96 & TS108**

ATI Corporation
1-800-342-0905
www.level-best.com

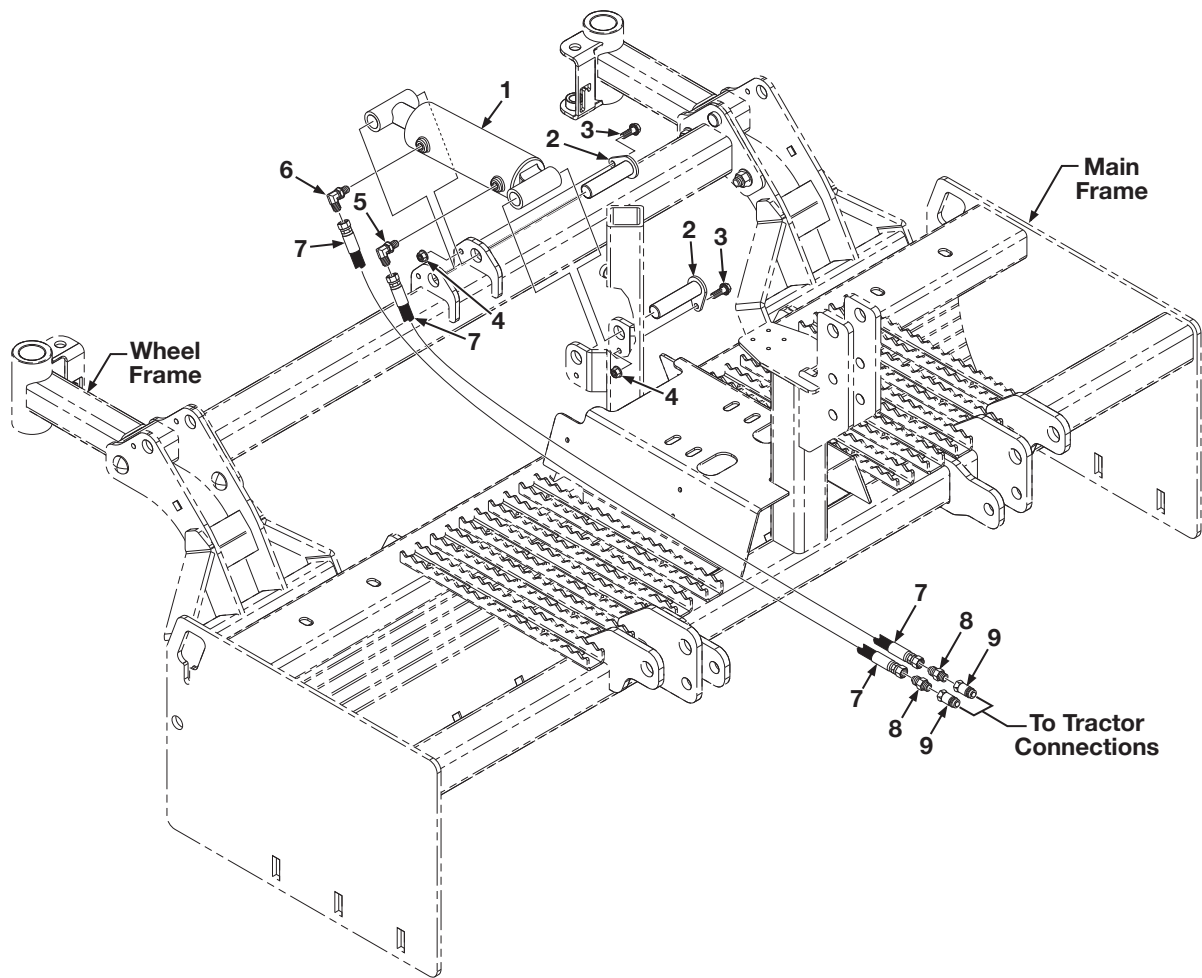
Item	Part No.	Qty	Description
1	315-065-310	2	Caster
2	315-065-400	2	Axle, Dual
3	000-155-002	8	Washer, Flat, 2-1/4" OD x 1-1/2" ID x 10 Gauge Thick
4	000-176-171	8	Bushing, Wheel Frame, 1-3/4" OD x 1-1/2" ID x 1-1/2" Long
5	000-155-004	4	Washer, Flat, 2-1/4" OD x 17/32" ID x 1/4" Thick
6	000-150-375	4	Bolt, Serrated Flange, 1/2"-13UNC x 1-1/4" Long
7	001-001-069	4	Hub Assembly, Includes Items 8 thru 11
		4	Hub Assembly, Includes Items 8 thru 11 (Alternate Hub Assembly)
8	001-001-074	1	Hub, Wheel, With Outer Race
9	000-176-184	2	Bearing, Roller, Tapered, 1" Dia. Bore
10	000-166-457	2	Seal, 1.983" OD x 1.219" ID x .475" Thick
11	000-150-218	4	Bolt, Lug, 1/2"-20UNF x 1-1/4" Long
	000-158-120	4	Nut, Lug, Hex, 1/2"-20UNF (Alternate Hub Assembly)
12	000-155-003	4	Washer, Flat, 1-1/2" OD x 1" ID x 14 Gauge
13	000-158-193	4	Nut, Castle, 1"-14UNF
14	000-161-078	4	Pin, Cotter, 1/8" Dia. x 2" Long
15	001-001-084	4	Cap, Dust
16	001-001-057	4	Wheel/Tire, Foam-Filled, 18.5/8.50-8

AR - As Required NSS - Not Serviced Separately ASN - After Serial No. BSN - Before Serial No. LP - Local Purchase

Para-Level Grading Box PARTS LIST

Figure 5. Hydraulic Cylinder Only

ATI Corporation
1-800-342-0905
www.level-best.com



Para-Level Grading Box PARTS LIST



Figure 5. Hydraulic Cylinder Only

ATI Corporation
 1-800-342-0905
 www.level-best.com

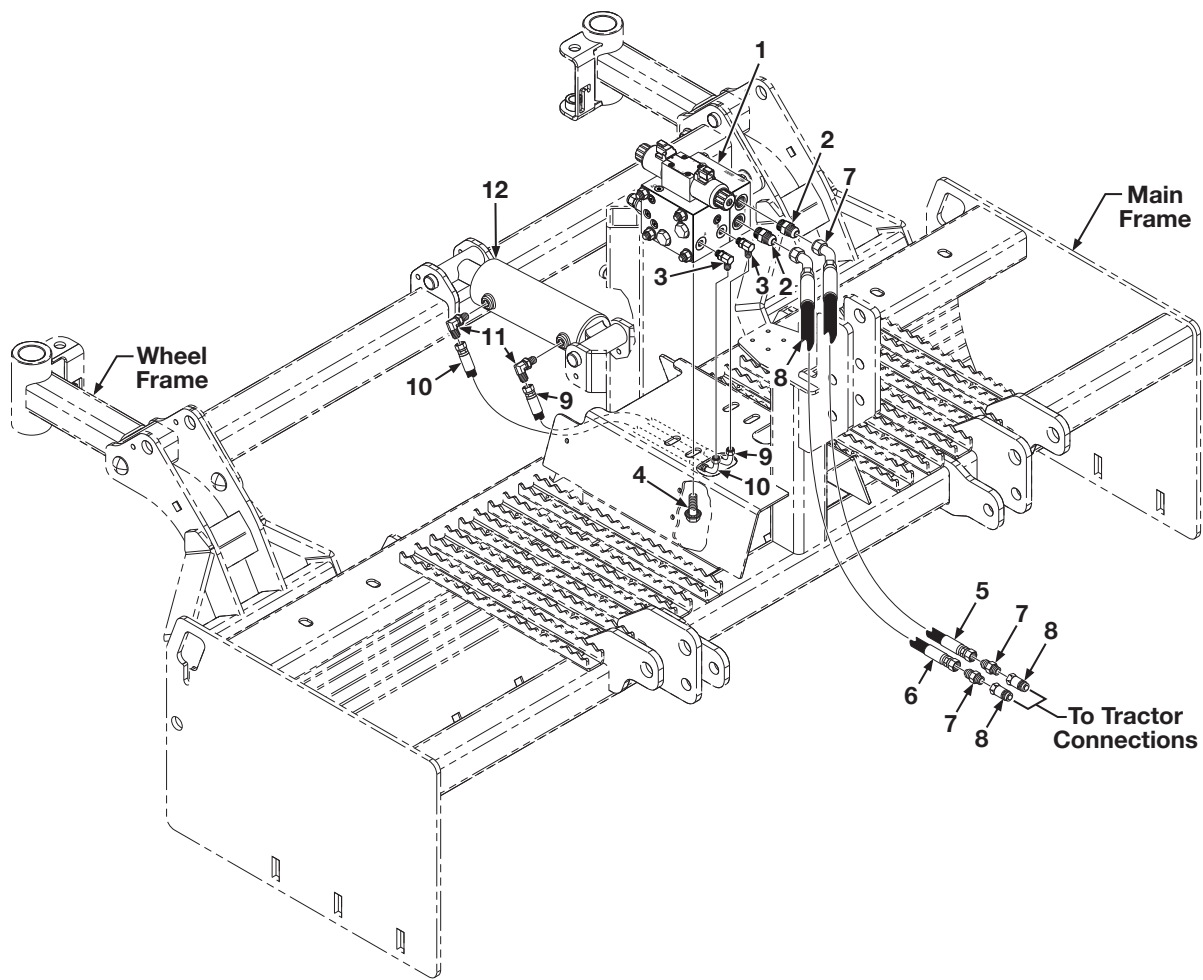
Item	Part No.	Qty	Description
1	000-166-689	1	Cylinder, Hydraulic, 3" Bore x 6" Stroke
2	000-161-164	2	Pin, Pivot, Tabbed, 1" Dia. x 5" Long
3	000-150-078	2	Bolt, Serrated Flange, 5/16"-18UNC x 1" Long
4	000-158-064	2	Nut, Serrated Flange, 5/16"-18UNC
5	000-166-748	1	Elbow, 90°, 6MJ x 6MB, With Orifice
6	000-166-225	1	Elbow, 90°, 6MJ x 6MB
7	000-166-453	2	Hose, 1/2" Dia. x 90" Long x 6FJX x 8FJX, 3,000 PSI
8	000-166-168	2	Adapter, Straight, 8MJ x 8MP
9	000-166-210	2	Coupler, Quick, Ag, Male, 1/2"

- BH-Bulkhead
- MP-Male Pipe
- FP-Female Pipe
- FPX-Female Pipe Swivel
- MB-Male O-Ring Boss
- FB-Female O-Ring Boss
- MJ-Male JIC
- FJ-Female JIC
- FJX-Female JIC Swivel

AR - As Required NSS - Not Serviced Separately ASN - After Serial No. BSN - Before Serial No. LP - Local Purchase

Para-Level Grading Box PARTS LIST

Figure 6. Hydraulic Valve Assembly, Cylinder Assembly and Related Parts



Para-Level Grading Box PARTS LIST



Figure 6. Hydraulic Valve Assembly, Cylinder Assembly and Related Parts

ATI Corporation
 1-800-342-0905
 www.level-best.com

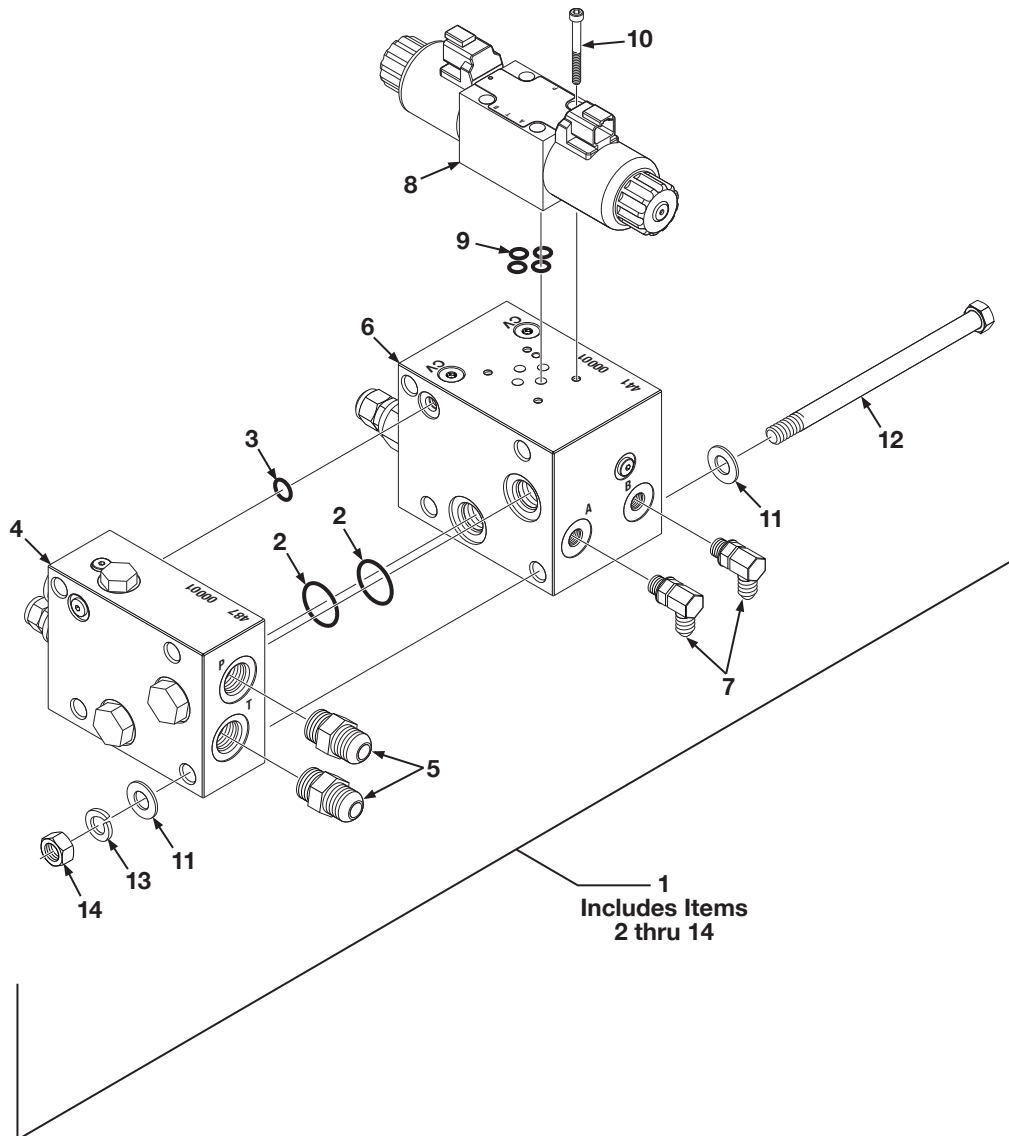
Item	Part No.	Qty	Description
1	000-166-714	1	Valve Assembly, Hydraulic Single, Includes Items 2 & 3, See Breakdown Figure 7
2	000-166-170	2	Adapter, Straight, 8MJ x 8MB
3	000-166-225	2	Elbow, 90°, 6MJ x 6MB
4	000-150-396	2	Bolt, Serrated Flange, 1/2"-13UNC x 1" Long
5	000-166-616	1	Hose, 1/2" Dia. x 58" Long x 8FJX x 8FJX45, 5,000 PSI
6	000-166-616	1	Hose, 1/2" Dia. x 58" Long x 8FJX x 8FJX45, 5,000 PSI
7	000-166-168	2	Adapter, Straight, 8MJ x 8MP
8	000-166-210	2	Coupler, Quick Disconnect, Ag, Male, 1/2"
9	000-166-732	1	Hose, 3/8" Dia. x 18" Long x 6FJX x 6FJX90L, 3,000 PSI
10	000-166-733	1	Hose, 3/8" Dia. x 25" Long x 6FJX x 6FJX90L, 3,000 PSI
11	000-166-225	2	Elbow, 90°, 6MJ x 6MB
12	000-166-689	1	Cylinder, Hydraulic, 3" Bore x 6" Stroke

- BH-Bulkhead
- MP-Male Pipe
- FP-Female Pipe
- FPX-Female Pipe Swivel
- MB-Male O-Ring Boss
- FB-Female O-Ring Boss
- MJ-Male JIC
- FJ-Female JIC
- FJX-Female JIC Swivel

AR - As Required NSS - Not Serviced Separately ASN - After Serial No. BSN - Before Serial No. LP - Local Purchase

Figure 7. Hydraulic Valve Assembly

ATI Corporation
1-800-342-0905
www.level-best.com



Para-Level Grading Box PARTS LIST



Figure 7. Hydraulic Valve Assembly

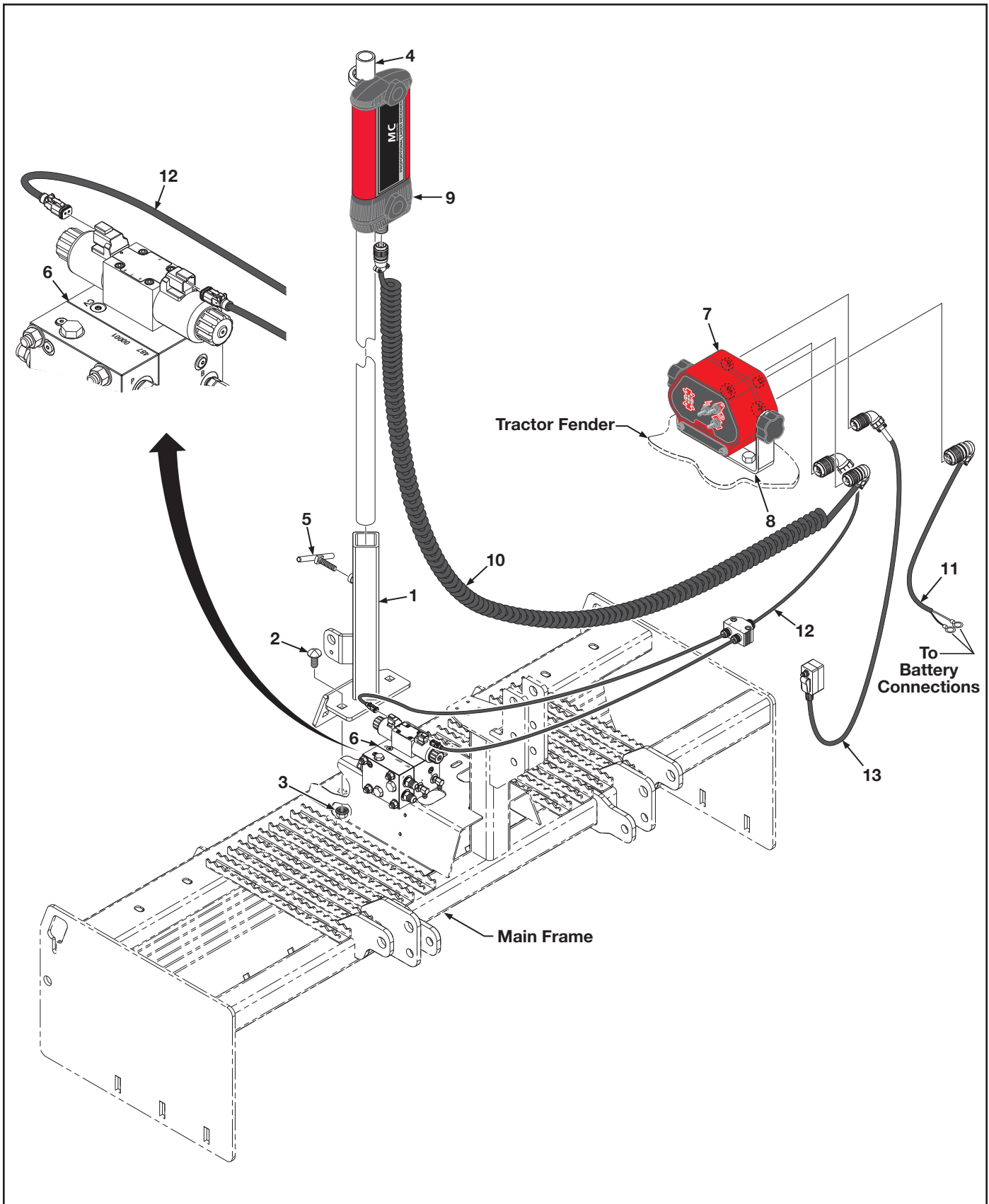
ATI Corporation
1-800-342-0905
www.level-best.com

Item	Part No.	Qty	Description
1	000-166-714	1	Valve Assembly, Hydraulic Single, Base, Includes Items 2 thru 14
2	000-166-516	2	O-Ring, Dash 120
3	000-166-515	1	O-Ring, Dash 112
4	000-166-499	1	Manifold Block, Primary, Includes Item 5
5	000-166-170	2	Adapter, Straight, 8MJ x 8MB
6	000-166-710	1	Manifold Block, Secondary, Includes Item 7 thru 10
7	000-166-225	2	Elbow, 90°, 6MJ x 6MB
8	000-166-686	1	Valve, Directional, Includes Item 9 & 10
9	000-166-514	4	O-Ring, Buna-N, 012, 90 Duro, 1/2" OD x 3/8" ID
10	000-150-020	4	Screw, Socket Head, #10-24UNC x 1-3/4" Long
11	000-155-043	8	Washer, Flat, 7/16" SAE
12	000-150-171	4	Bolt, Hex Head, 7/16"-20UNC x 6-1/2" Long
13	000-155-044	4	Washer, Lock, 7/16"
14	000-158-101	8	Nut, Hex, 7/16"-20UNF

AR - As Required NSS - Not Serviced Separately ASN - After Serial No. BSN - Before Serial No. LP - Local Purchase

Para-Level Grading Box PARTS LIST

Figure 8. Laser Controls and Related Parts -
Apache CB26/Spectra CB25



Para-Level Grading Box PARTS LIST



**Figure 8. Laser Controls and Related Parts -
Apache CB26/Spectra CB25**

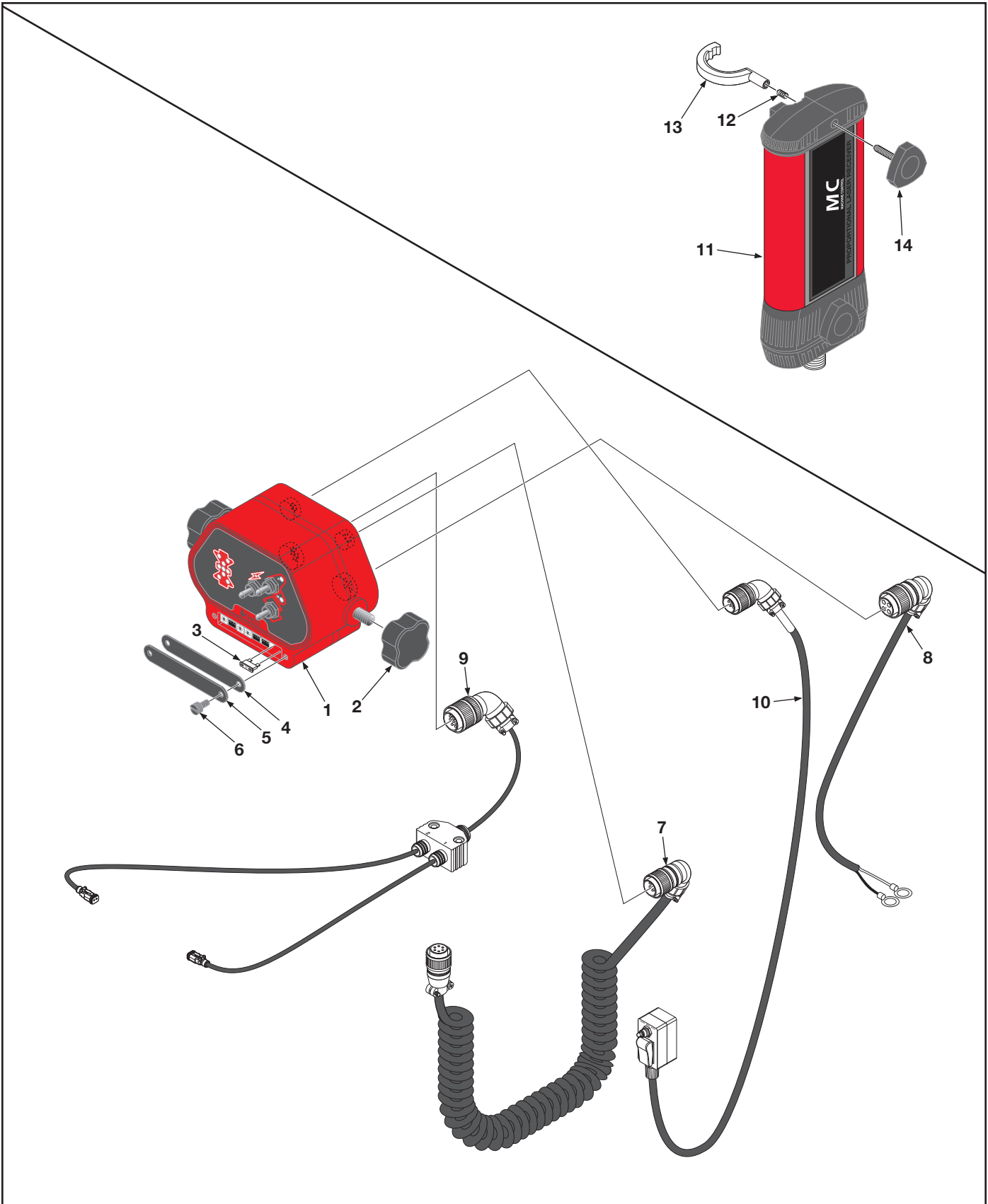
ATI Corporation
1-800-342-0905
www.level-best.com

Item	Part No.	Qty	Description
1	315-117-700	1	Mount, Mast
2	000-150-256	4	Bolt, Carriage, 5/8"-11UNC x 1-1/2" Long
3	000-158-142	4	Nut, Serrated, 5/8"-11UNC
4	001-001-052	1	Pole, Mast, 1-1/2" Dia x 7' Long
5	001-001-053	1	Handle, Tee
6	000-166-714	1	Valve Assembly, Hydraulic Single, See Breakdown Figure 7
7	000-200-092	1	Panel, Control, Apache CB26, Red, See Breakdown Figure 9
	000-200-211	1	Panel, Control, Spectra CB25, Yellow, See Breakdown Figure 9
8	001-001-075	1	Bracket, Control Panel
9	000-200-093	1	Receiver, Laser 360°, Apache B5MC Red
	000-200-275	1	Receiver, Laser 360°, Spectra B5MC Yellow
10	000-200-099	1	Cable, Receiver, Coiled, 15' Long
11	000-200-097	1	Cable, Power, 2-Wire, 20' Long
12	000-200-327	1	Cable, Solenoid, 90°, 16' Long, Apache CB26/Spectra CB25
13	000-200-158	1	Switch Assembly, Remote, Auto/Manual, Raise/Lower, 10' Long

AR - As Required NSS - Not Serviced Separately ASN - After Serial No. BSN - Before Serial No. LP - Local Purchase

Para-Level Grading Box PARTS LIST

Figure 9. Control Panel, Laser Receiver 360°, Cables - Apache/Spectra



Para-Level Grading Box PARTS LIST



Figure 9. Control Panel, Laser Receiver 360°, Cables - Apache/Spectra

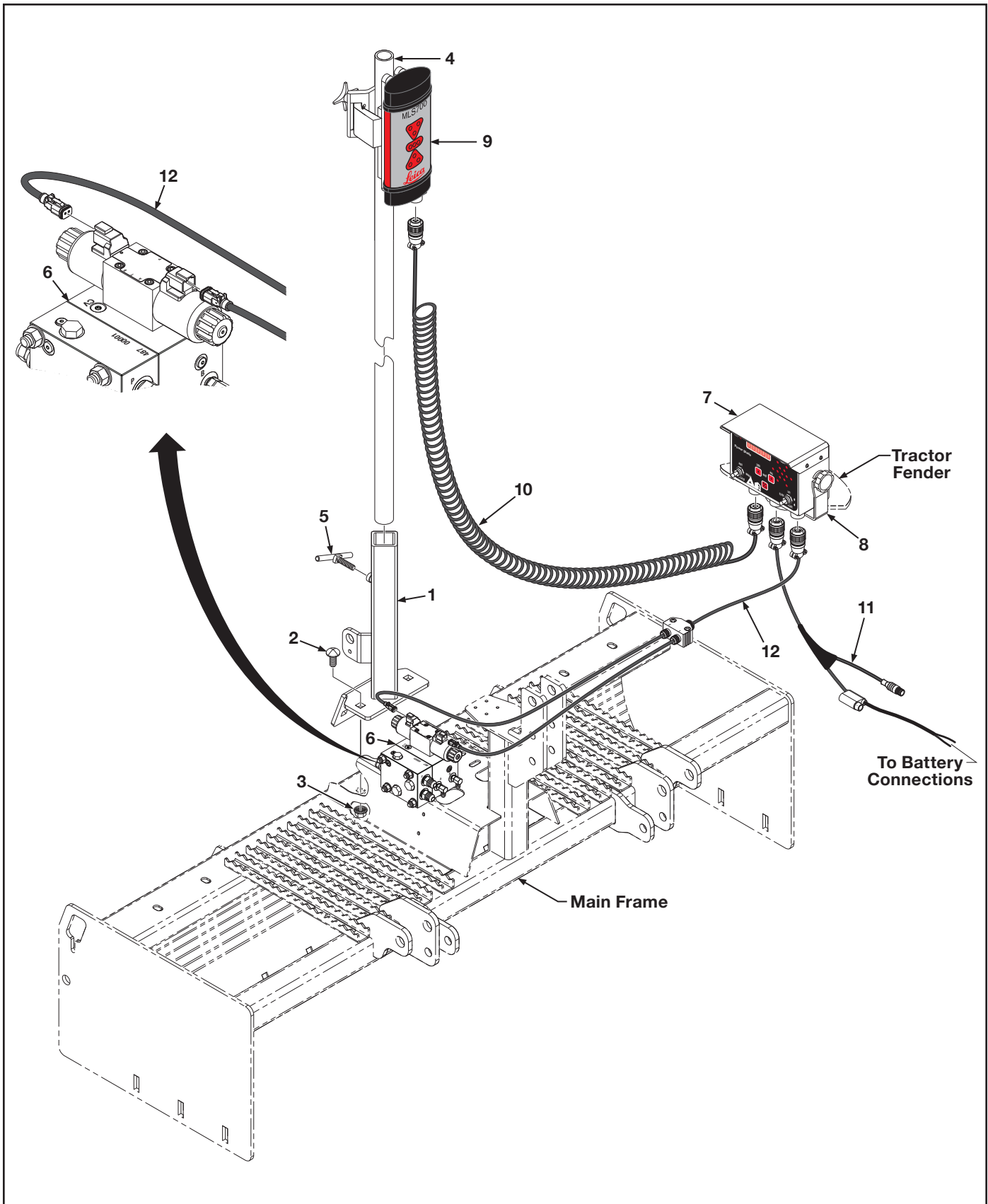
ATI Corporation
 1-800-342-0905
 www.level-best.com

Item	Part No.	Qty	Description
1	000-200-092	1	Panel, Control, Apache CB26, Includes Items 2 thru 6
	000-200-211	1	Panel, Control, Spectra CB25, Includes Items 2 thru 6
2	000-200-112	2	Knob
3	LP	1	Fuse, 25 Amp
4	000-200-115	1	Gasket, Front Cover Plate
5	000-200-114	1	Plate, Front Cover
6	000-200-113	2	Screw, Thumb
7	000-200-099	1	Cable, Receiver, Coiled, 15' Long
8	000-200-097	1	Cable, Power, 2-Wire, 20' Long
9	000-200-327	1	Cable, Solenoid, 90°, 16' Long, Apache CB26/Spectra CB25
10	000-200-158	1	Switch Assembly, Remote, Auto/Manual, Raise/Lower, 10' Long,
11	000-200-093	1	Receiver, Laser 360°, Apache B5MC Red, Includes Items 11 thru 13
	000-200-275	1	Receiver, Laser 360°, Spectra B5MC Yellow, Includes Items 11 thru 13
12	000-161-094	2	Spring, Clamp, Compression
13	000-200-108	2	Clamp, Universal, 2" Dia.
14	000-200-107	2	Knob, Clamp

AR - As Required NSS - Not Serviced Separately ASN - After Serial No. BSN - Before Serial No. LP - Local Purchase

Para-Level Grading Box PARTS LIST

Figure 10. Laser Controls and Related Parts -
Leica MCP-700



Para-Level Grading Box PARTS LIST



**Figure 10. Laser Controls and Related Parts -
Leica MCP-700**

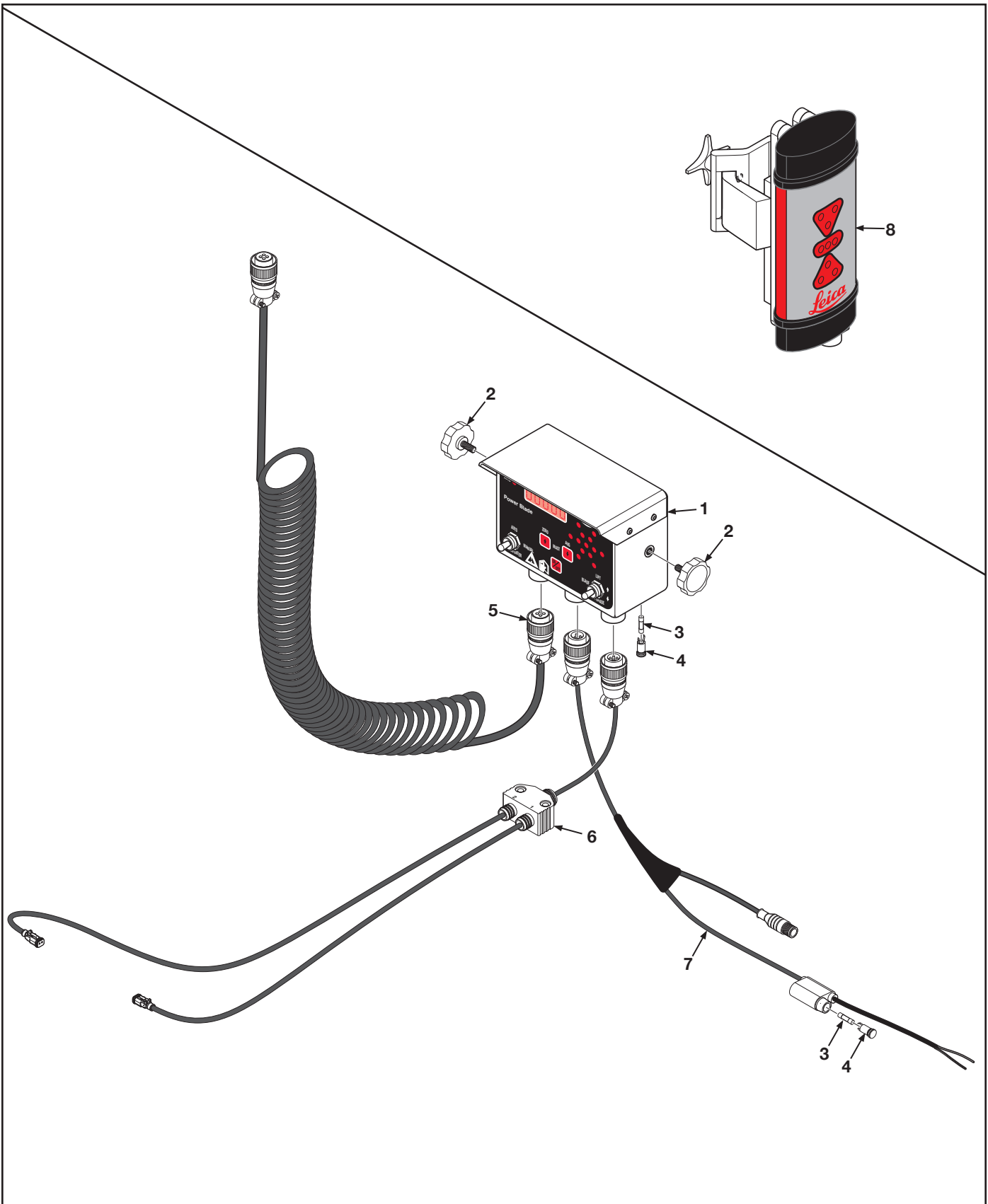
ATI Corporation
1-800-342-0905
www.level-best.com

Item	Part No.	Qty	Description
1	315-117-700	1	Mount, Mast
2	000-150-256	4	Bolt, Carriage, 5/8"-11UNC x 1-1/2" Long
3	000-158-142	4	Nut, Serrated, 5/8"-11UNC
4	001-001-052	1	Pole, Mast, 1-1/2" Dia x 7' Long
5	001-001-053	1	Handle, Tee
6	000-166-714	1	Valve Assembly, Hydraulic Single, See Breakdown Figure 7
7	000-200-199	1	Panel, Control, Leica MCP -700, See Breakdown Figure 11
8	001-001-114	1	Bracket, Mounting, Control Panel
9	000-200-200	1	Receiver, Laser 360°,
10	000-200-203	1	Cable, Receiver, Coiled, 3-Wire, 9' Long
11	000-200-201	1	Cable, Power, 2-Wire, 26' Long
12	000-200-389	1	Cable, Solenoid, Single, Leica PB, 16' Long

AR - As Required NSS - Not Serviced Separately ASN - After Serial No. BSN - Before Serial No. LP - Local Purchase

Para-Level Grading Box PARTS LIST

Figure 11. Control Panel, Laser Receiver 360°, Cables -
Leica MCP-700



Para-Level Grading Box PARTS LIST

**Figure 11. Control Panel, Laser Receiver 360°, Cables -
Leica MCP-700**



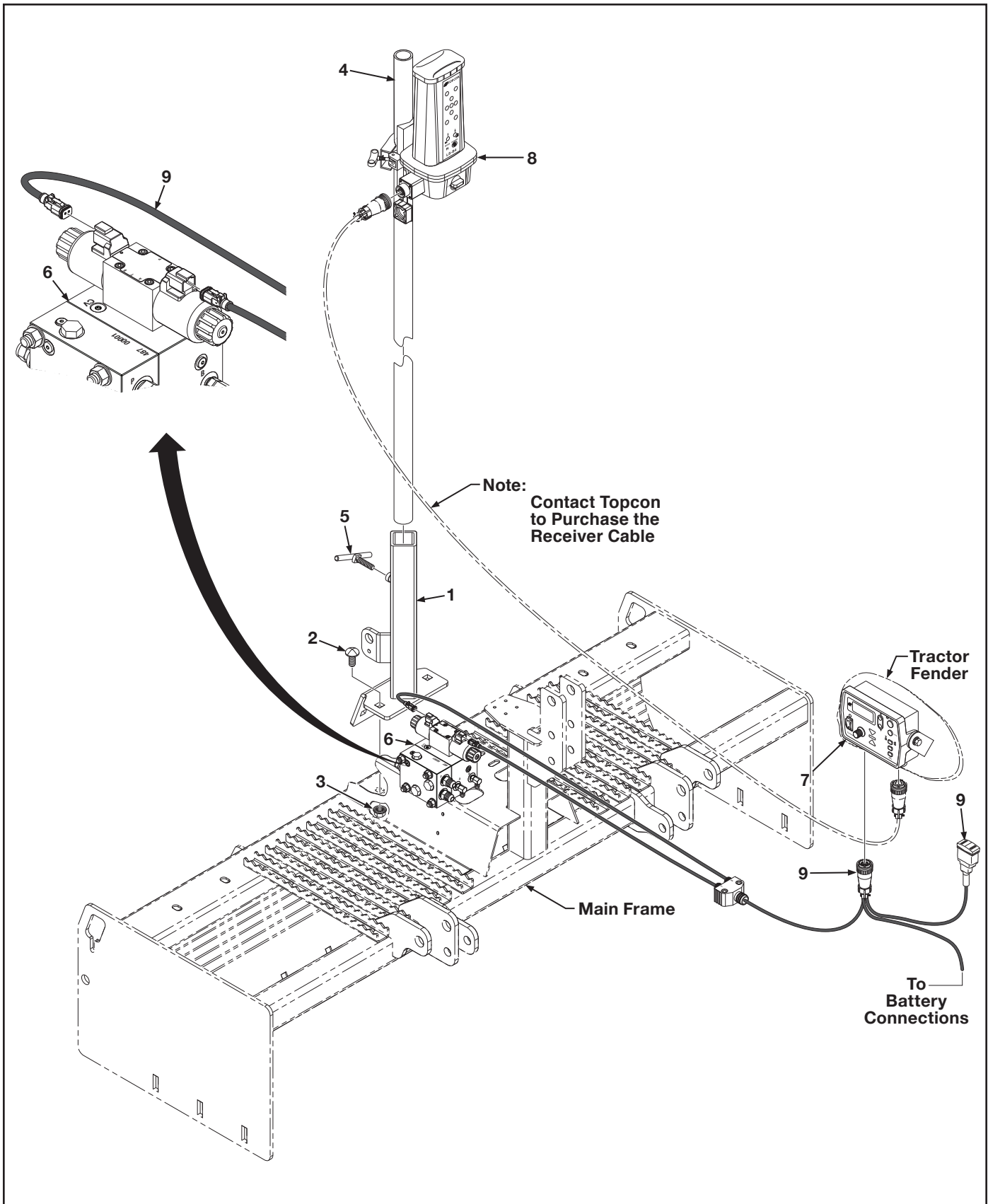
ATI Corporation
1-800-342-0905
www.level-best.com

Item	Part No.	Qty	Description
1	000-200-199	1	Panel, Control, Leica MCP -700, Includes Items 2 thru 4
2	000-200-276	2	Knob, Mounting Bracket, Control Panel
3	000-200-277	2	Fuse, 10A, Control Panel
4	000-200-278	2	Holder, Fuse, Control
5	000-200-203	1	Cable, Receiver, Coiled, 3-Wire, 9' Long
6	000-200-389	1	Cable, Solenoid, Single, Leica PB, 16' Long
7	000-200-201	1	Cable, Power, 2-Wire, 26' Long
8	000-200-200	1	Receiver, Laser 360°

AR - As Required NSS - Not Serviced Separately ASN - After Serial No. BSN - Before Serial No. LP - Local Purchase

Para-Level Grading Box PARTS LIST

Figure 12. Laser Controls and Related Parts - Topcon
System Five Remote & LS-B4



Para-Level Grading Box PARTS LIST



**Figure 12. Laser Controls and Related Parts - Topcon
System Five Remote & LS-B4**

ATI Corporation
1-800-342-0905
www.level-best.com

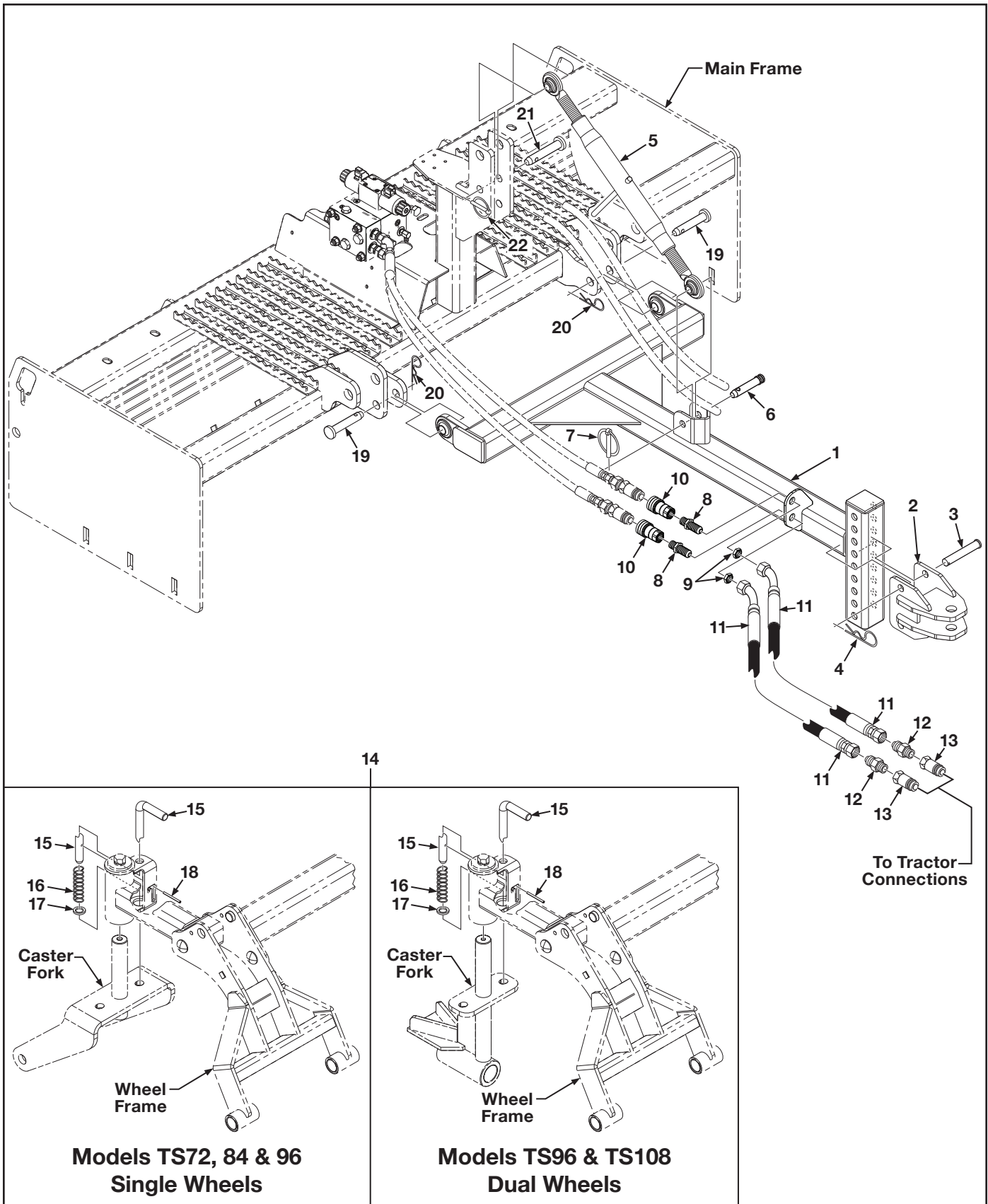
Item	Part No.	Qty	Description
1	315-117-700	1	Mount, Mast
2	000-150-256	4	Bolt, Carriage, 5/8"-11UNC x 1-1/2" Long
3	000-158-142	4	Nut, Serrated, 5/8"-11UNC
4	001-001-052	1	Pole, Mast, 1-1/2" Dia x 7' Long
5	001-001-053	1	Handle, Tee
6	000-166-714	1	Valve Assembly, Hydraulic Single, See Breakdown Figure 7
7	000-200-069	1	Panel, Control, System Five
8	000-200-070	1	Receiver, Laser 360°, LS-B4
9	000-200-355	1	Harness, Single, Topcon GC-35

AR - As Required NSS - Not Serviced Separately ASN - After Serial No. BSN - Before Serial No. LP - Local Purchase

Para-Level Grading Box PARTS LIST

Figure 13. Drawbar Kit, with Wheel Locks (Optional)

ATI Corporation
1-800-342-0905
www.level-best.com



Para-Level Grading Box PARTS LIST



Figure 13. Drawbar Kit, with Wheel Locks (Optional)

ATI Corporation
 1-800-342-0905
 www.level-best.com

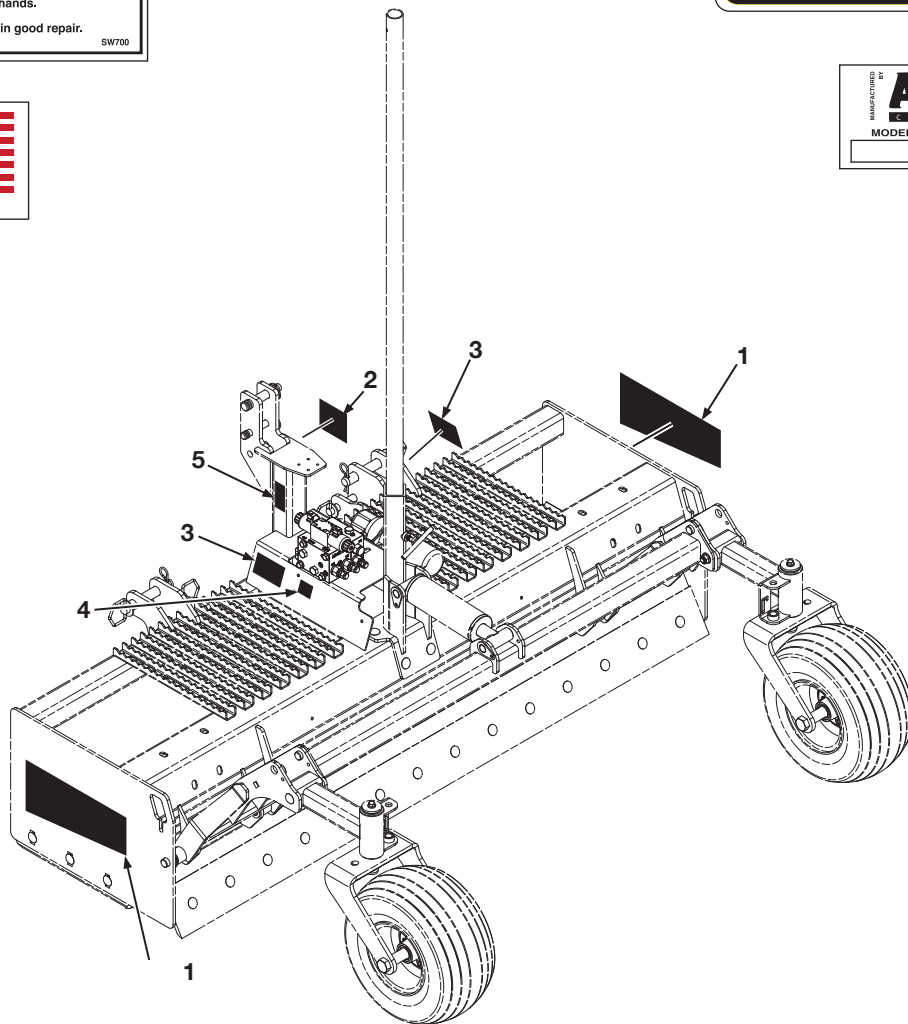
Item	Part No.	Qty	Description
	315-547-000	1	Kit, Drawbar, Category I, Includes Items 1 thru 18
1	315-541-000	1	Drawbar, Category I
2	315-542-000	1	Hitch, Clevis
3	000-161-079	2	Pin, Clevis, 3/4" Dia. x 4-1/2" Long
4	000-161-071	2	Pin, Cotter, Hair, .148" Dia. x 2-11/16" Long
5	001-001-064	1	Top Link
6	000-161-080	1	Pin, Top Link, 3/4" Dia. x 4-1/2" Long
7	000-161-028	1	Pin, Lynch, Locking, 7/16"
8	000-166-447	2	Connector, Bulkhead, 8MP x 8BH, Includes Item 9
9	NSS	2	Nut, Hex, Jam Lock
10	000-166-218	2	Coupler, Quick Disconnect, Ag, Female, 1/2" x 1/2" NPT
11	000-166-616	1	Hose, 1/2" Dia. x 58" Long x 8FJX x 8FJX45, 3,000 PSI
12	000-166-168	2	Adapter, Straight, 8MJ x 8MP
13	000-166-210	2	Coupler, Quick Disconnect, Ag, Male, 1/4"
14	315-645-000	2	Kit, Wheel Lock, Caster Lock, Includes Items 15 thru 18
15	000-161-136	1	Pin, Lock, Caster Fork, 3/4" Dia. x 7" Long
16	000-161-133	1	Spring, Compression
17	000-155-096	1	Washer, Flat, 3/4" Narrow
18	000-161-119	1	Pin, Roll, 3/16" Dia. x 2-1/4" Long
19	000-161-076	2	Pin, Hitch, 7/8" Dia. x 5-1/4" Long, Category I
20	000-161-019	2	Pin, Hair, Cotter, 3/16" Dia. x 3-3/4" Long
21	000-161-081	1	Pin, Top Link, 3/4" Dia. x 5-1/2" Long, Category I
22	000-161-028	1	Pin, Lynch, Locking, 7/16"

- BH-Bulkhead
- MP-Male Pipe
- FP-Female Pipe
- FPX-Female Pipe Swivel
- MB-Male O-Ring Boss
- FB-Female O-Ring Boss
- MJ-Male JIC
- FJ-Female JIC
- FJX-Female JIC Swivel

AR - As Required NSS - Not Serviced Separately ASN - After Serial No. BSN - Before Serial No. LP - Local Purchase

Figure 14. Decals

ATI Corporation
1-800-342-0905
www.level-best.com



Para-Level Grading Box PARTS LIST

Figure 14. Decals



ATI Corporation
 1-800-342-0905
 www.level-best.com

Item	Part No.	Qty	Description
1	000-186-045	2	Decal, Level Best Logo
2	000-186-041	1	Decal, Warning, High Pressure
3	000-186-094	2	Decal, Warning, This Machine Starts & Stops Automatically
4	000-186-092	1	Decal, Made in U.S.A.
5	000-186-035	1	Plate, Model/Serial, Adhesive Back

AR - As Required NSS - Not Serviced Separately ASN - After Serial No. BSN - Before Serial No. LP - Local Purchase