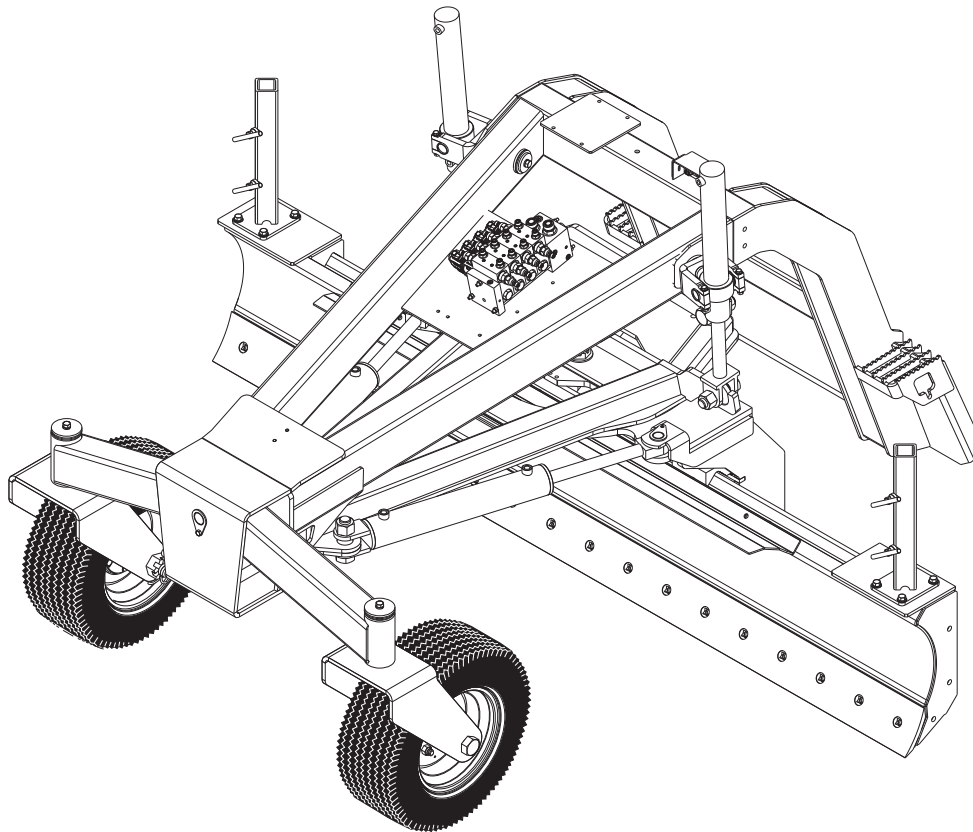


JOYSTICK FUNCTIONS MANUAL

GB - SERIES GRADER BLADE



ATI Corporation
New Holland, PA 17557
Phone (717) 354-8721 • FAX (717) 354-2162
1-800-342-0905
www.level-best.com

COPYRIGHT 2019 by
ATI Corporation
250 Earland Drive
New Holland, PA 17557 U.S.A.

DISCLAIMER

THE INFORMATION IN THIS MANUAL IS PROVIDED TO PROMOTE THE SAFE USE OF, AND ASSIST THE OPERATOR IN ACHIEVING THE BEST PERFORMANCE FROM, PARA-LEVEL GRADING BOX DESCRIBED HEREIN, FOR THEIR INTENDED APPLICATIONS.

USING THIS DOCUMENT

This document is expected to be used as an electronic pdf document as well as a printed document. Various software can be used to view the document, including [Adobe® Acrobat Reader DC](#). Other pdf viewers are available.

As an electronic document, various links are included to help you navigate the document and find the applicable information. Links may be cross references within the document or an external link to an Internet page. Links shown in blue, such as the link to the Acrobat Reader DC software in the preceding paragraph. For an Internet link to work, the device must be connected to the Internet in some way. Data charges may apply.

NOTE: Most pdf viewer software provides a command for previous view. In Acrobat Reader, for instance, the previous view on the View/Page Navigation menu. Keyboard shortcuts are also available, such as Alt+Left Arrow and Alt+Right Arrow for Previous View and Next View, respectively.

NOTES

Lined area for notes.

LIST OF ILLUSTRATIONS

Figure 1. Cat D-Series Joystick Functions	2
Figure 2. Bobcat Joystick Functions	2
Figure 3. Case Joystick Functions	3
Figure 4. New Holland Joystick Functions	3
Figure 5. Kubota SSV65 & 75 Joystick Functions	4
Figure 6. Kubota SVL 95 S6699 Multifunction Controller Kit	4
Figure 7. John Deere G-Series Joystick Functions.....	5
Figure 8. Takeuchi TL12/TL250 Joystick Functions	5
Figure 9. JCB/Volvo Joystick Functions	6

JOYSTICK FUNCTIONS

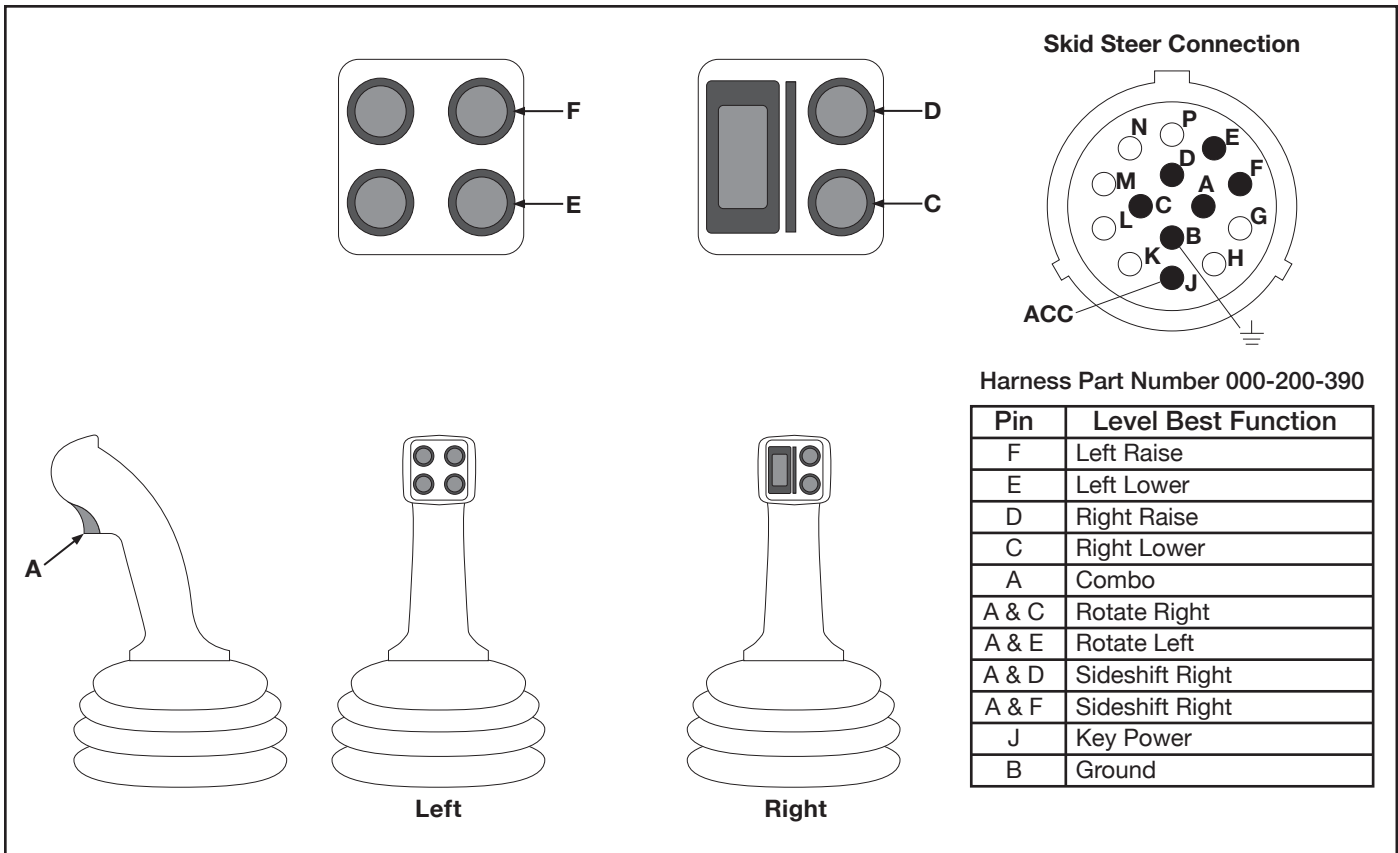


Figure 1. Cat D-Series Joystick Functions

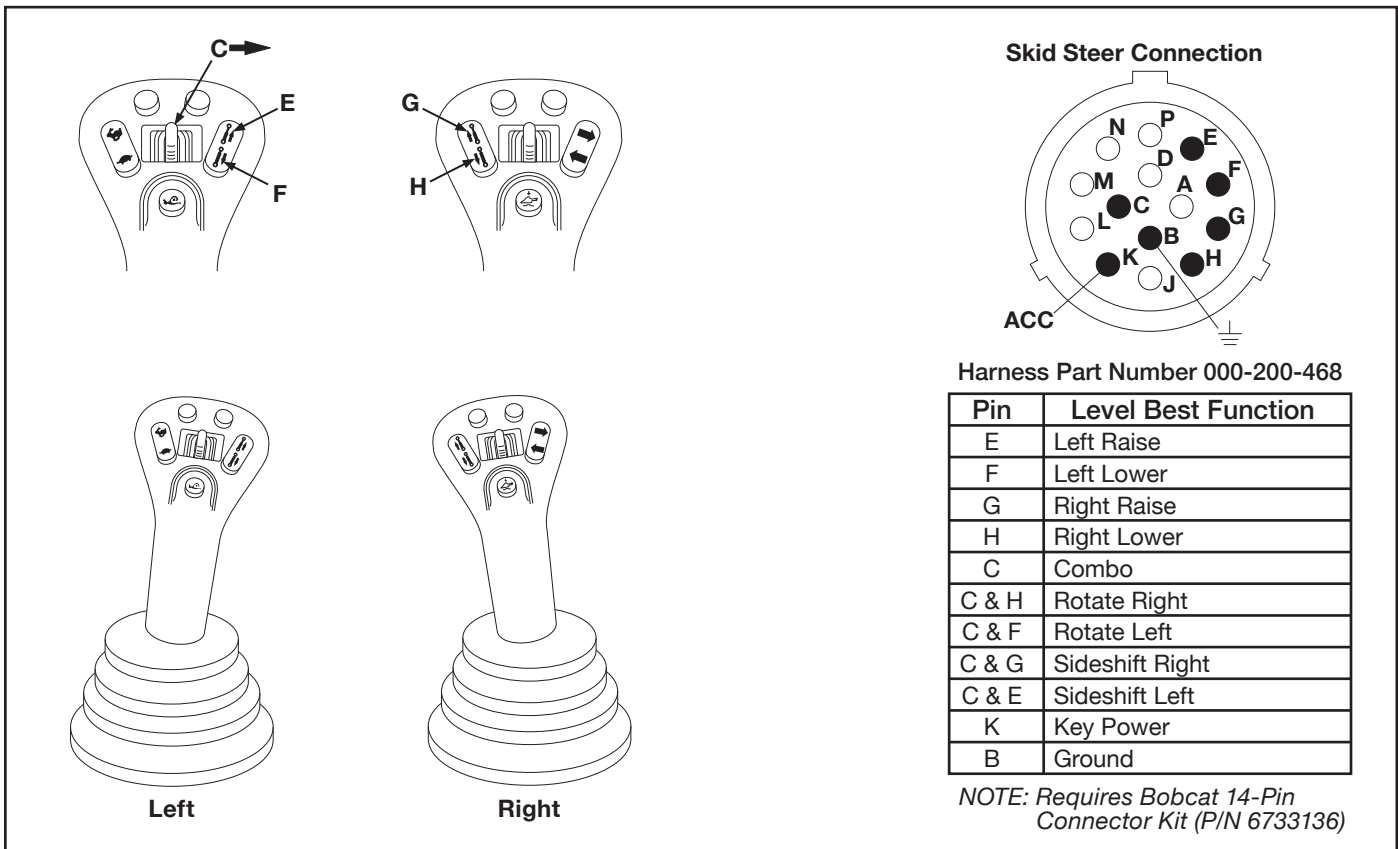


Figure 2. Bobcat Joystick Functions

JOYSTICK FUNCTIONS

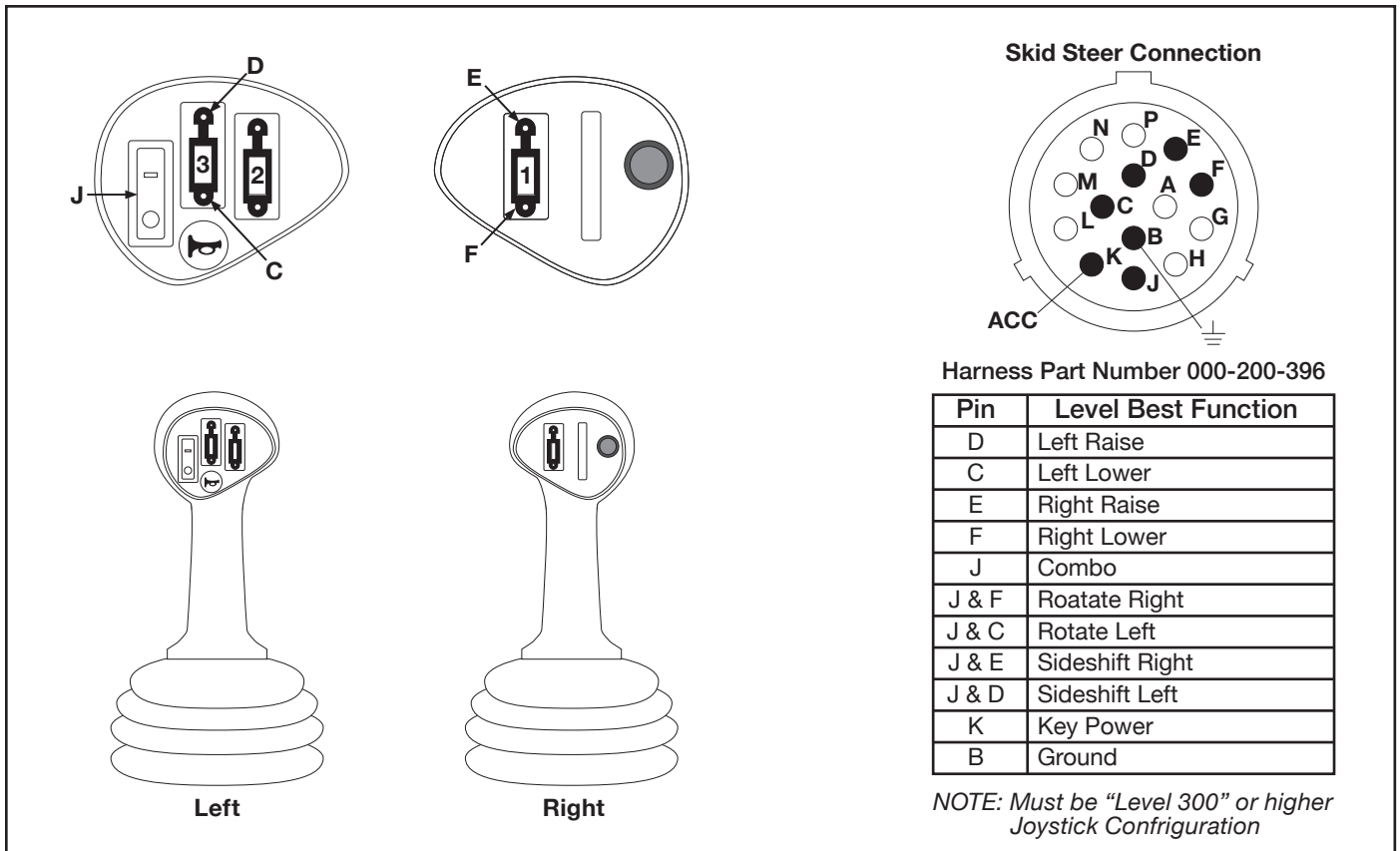


Figure 3. Case Joystick Functions

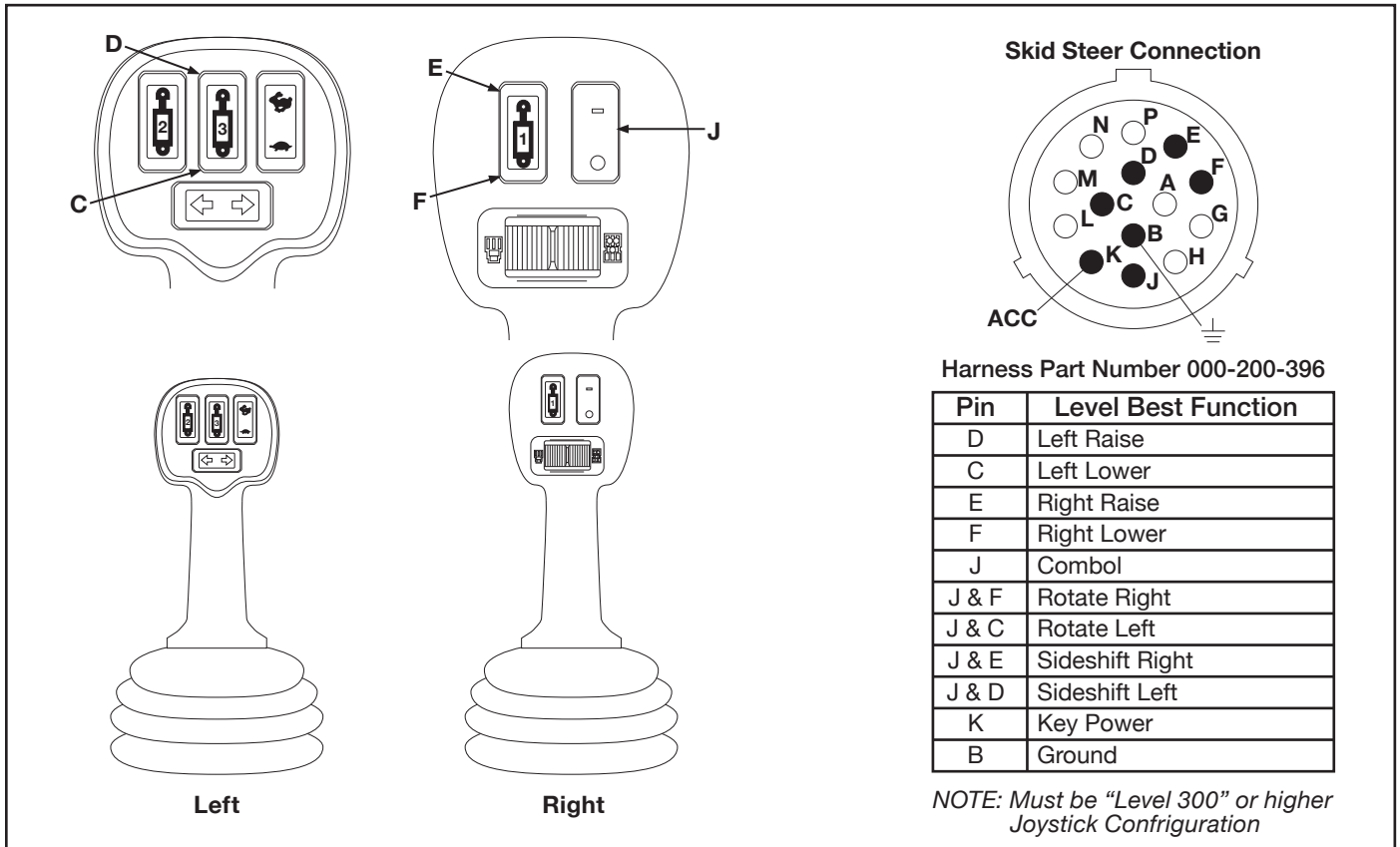


Figure 4. New Holland Joystick Functions

JOYSTICK FUNCTIONS

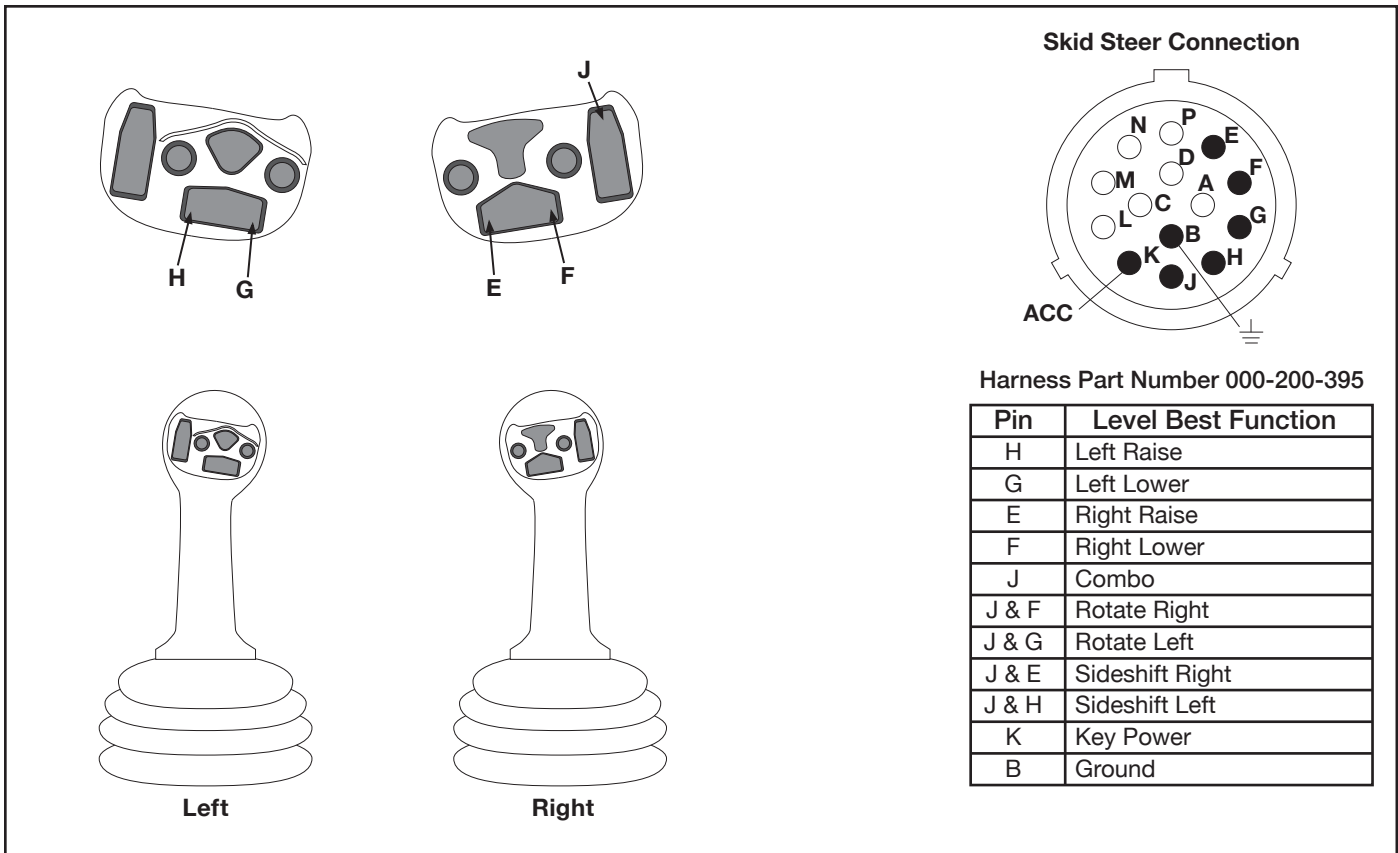


Figure 5. Kubota SSV65 & 75 Joystick Functions

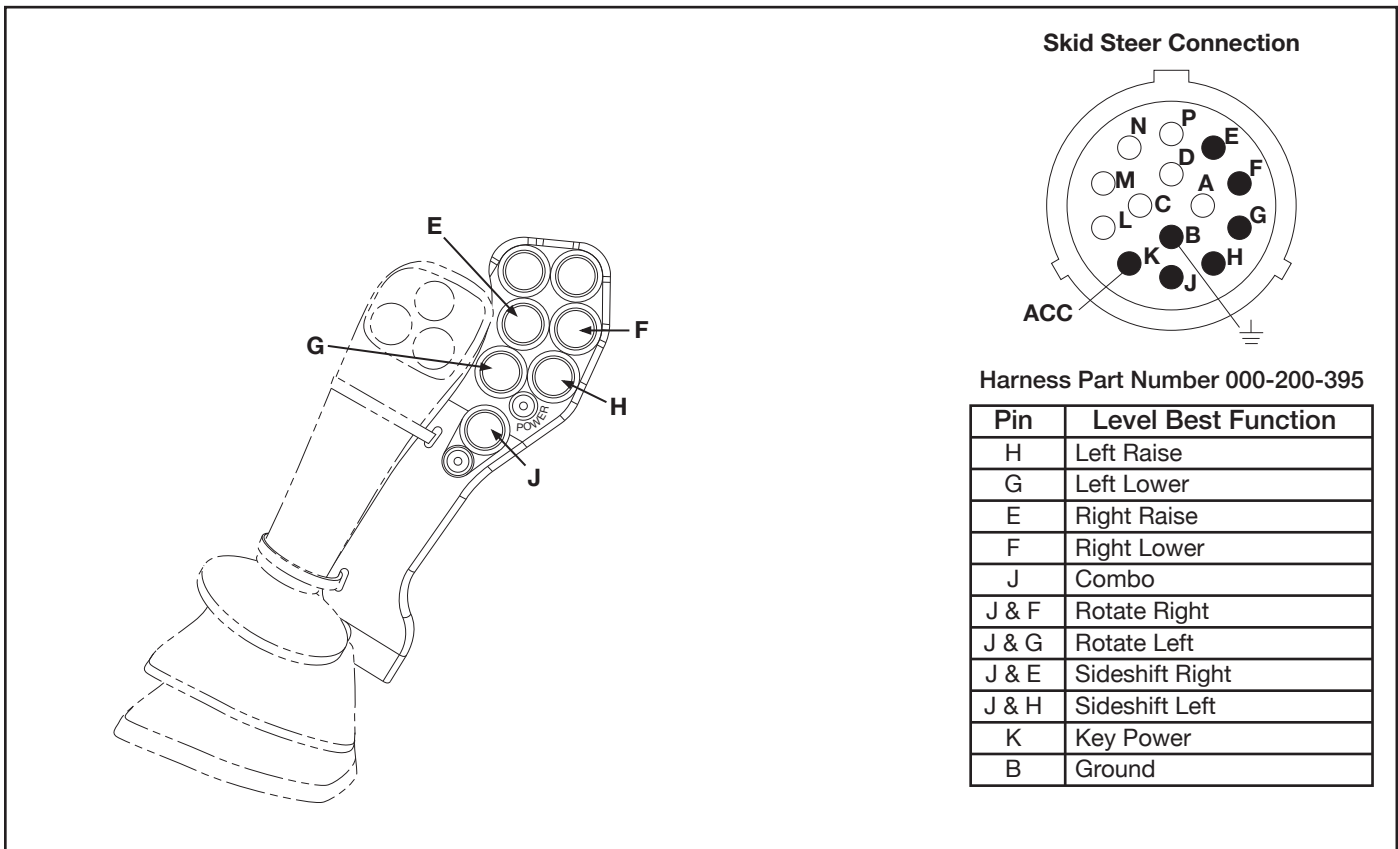


Figure 6. Kubota SVL 95 S6699 Multifunction Controller Kit

JOYSTICK FUNCTIONS

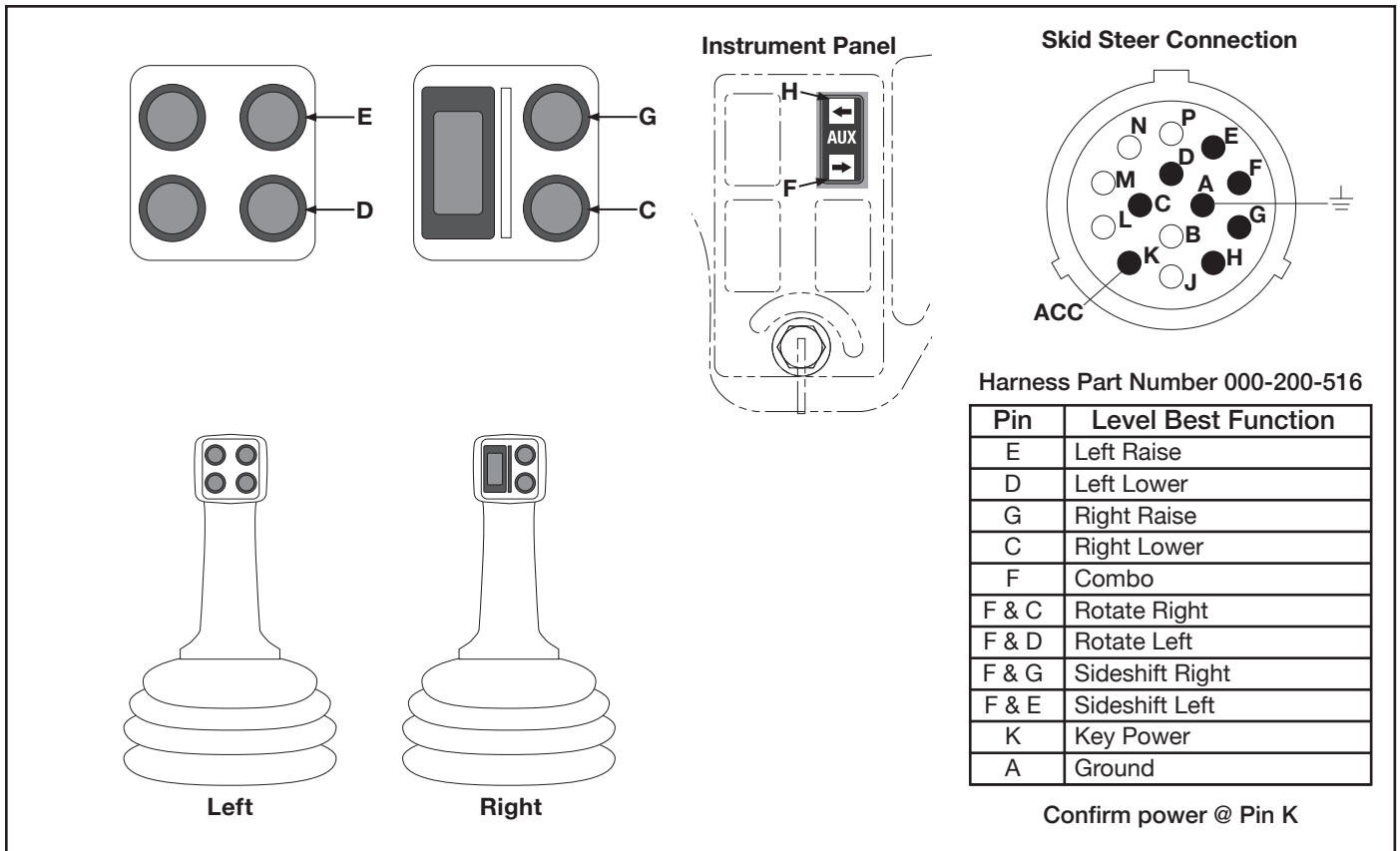


Figure 7. John Deere G-Series Joystick Functions

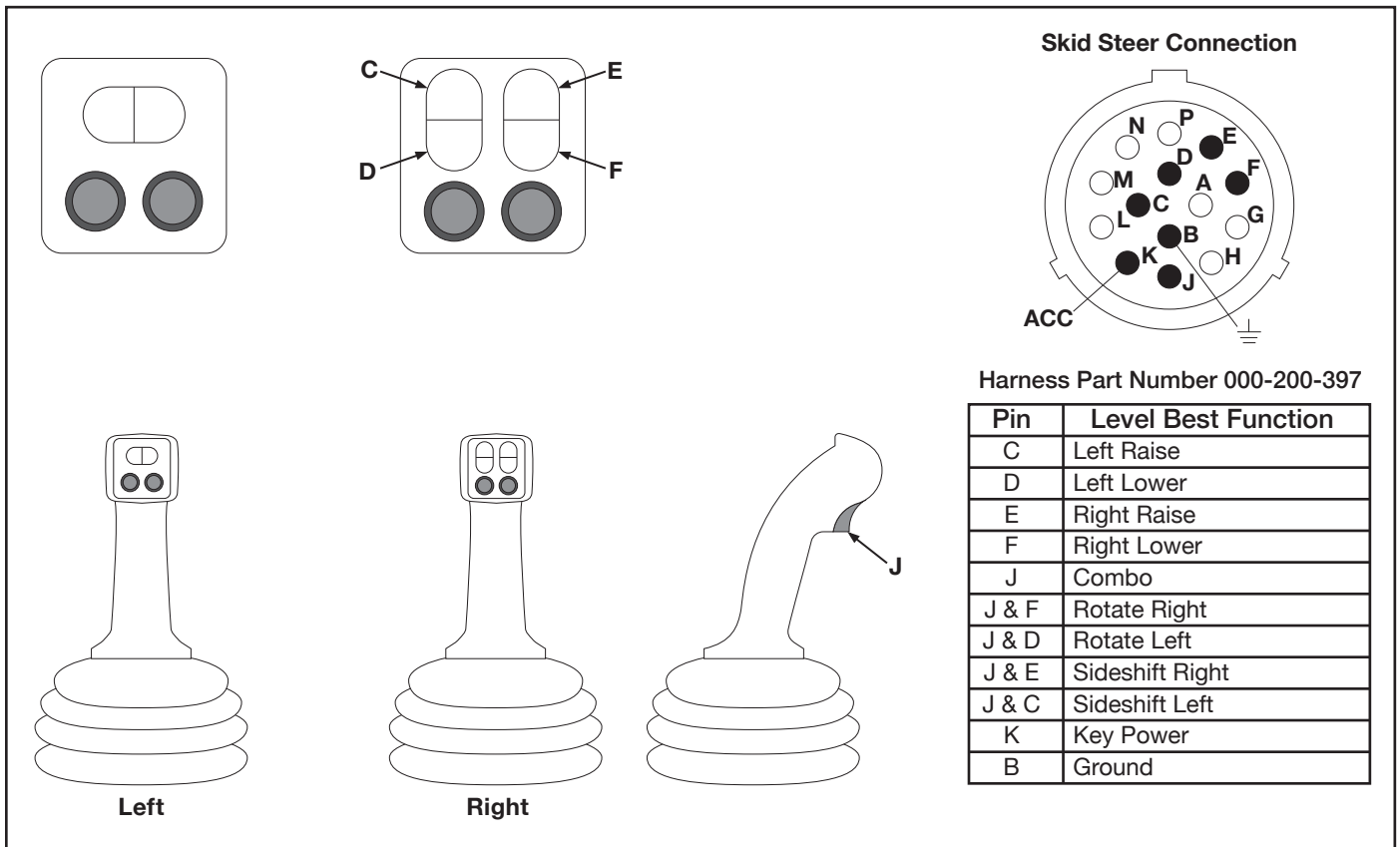


Figure 8. Takeuchi TL12/TL250 Joystick Functions

JOYSTICK FUNCTIONS

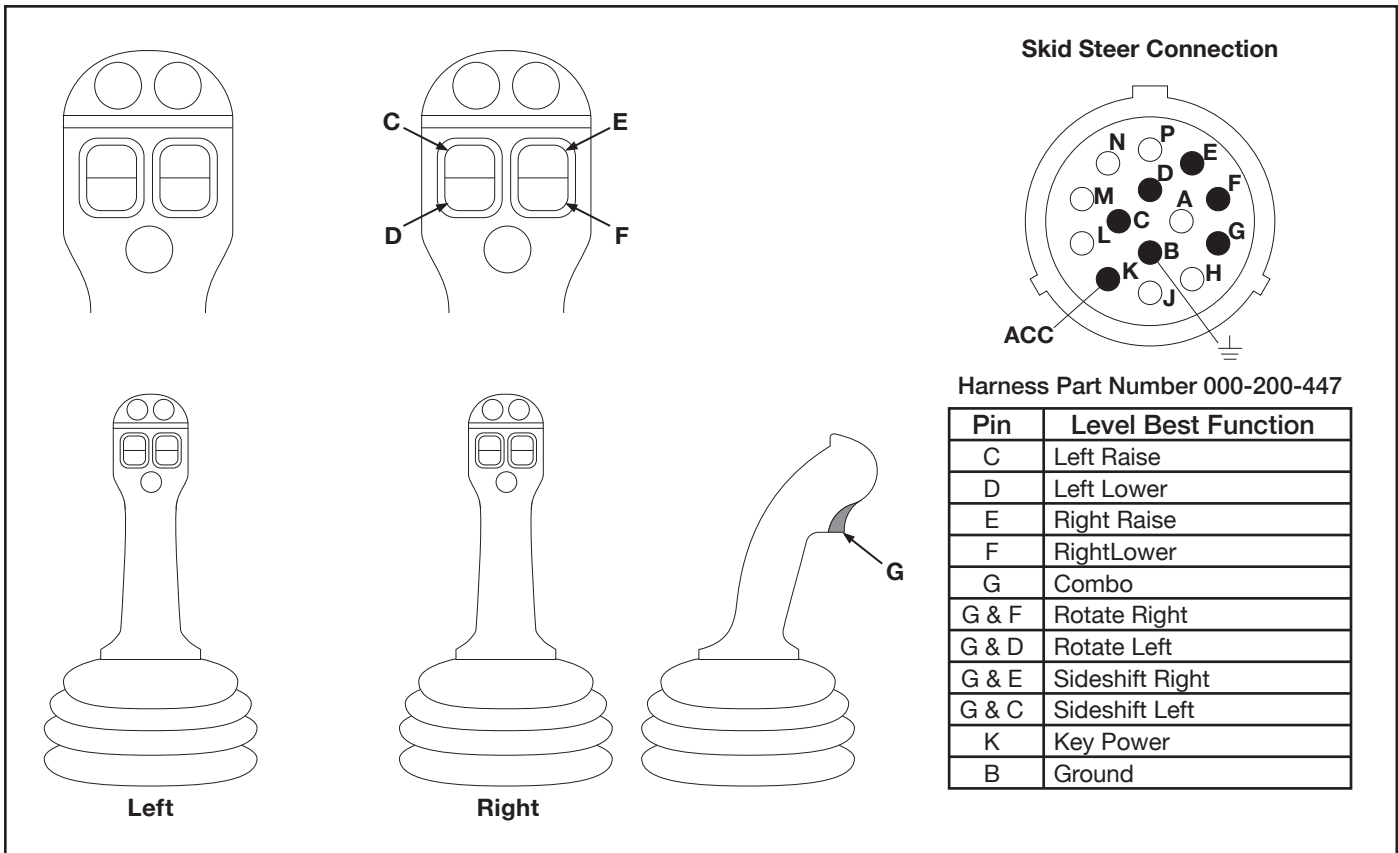


Figure 9. JCB/Volvo Joystick Functions

INDEX

B

Bobcat Joystick Functions..... 2

C

Case Joystick Functions 3

Cat D-Series Joystick Functions..... 2

D

Disclaimer..... i

I

Index..... 7

J

JCB/Volvo Joystick Functions..... 6

John Deere G-Series Joystick Functions 5

K

Kubota SSV65 & 75 Joystick Functions..... 4

Kubota SVL 95 S6699 Multifunction Controller Kit..... 4

L

List of Illustrations 1

N

New Holland Joystick Functions..... 3

S

Systems Features and Basic Operation..... 2

T

Takeuchi TL12/TL250 Joystick Functions..... 5

U

Using this document..... i



ATI Corporation
New Holland, PA 17557
Phone (717) 354-8721 • FAX (717) 354-2162
1-800-342-0905
www.level-best.com
